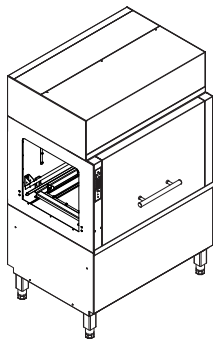




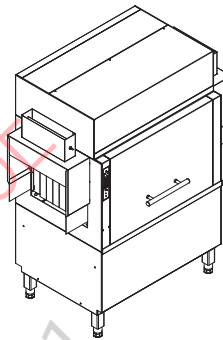
Electrolux

CATALOGO PARTI DI RICAMBIO
SPARE PARTS CATALOGUE

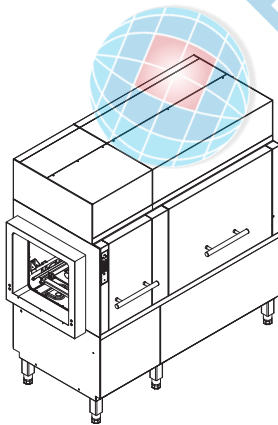
Lavastoviglie a cesto trascinato compatte Compact Rack Type dishwasher



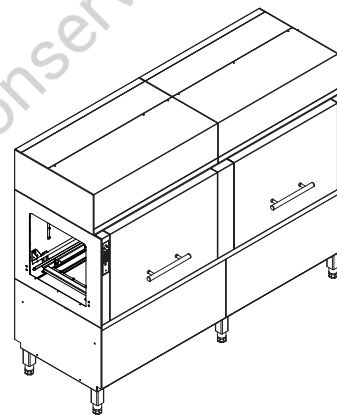
RTCS90 / WTCS90



RTCS140 / WTCS140



RTCS180 / WTCS180



RTCS250 / WTCS250

Marchio/Brand: E
Paese/Country: Tutti/All

Da Ser.Nr./From Ser.nr.: 811

Page: 1 Ed. 2016-10

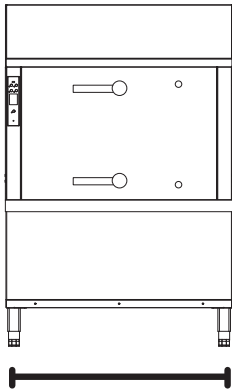
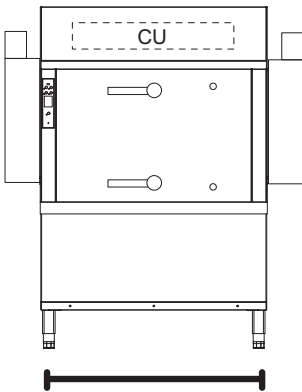
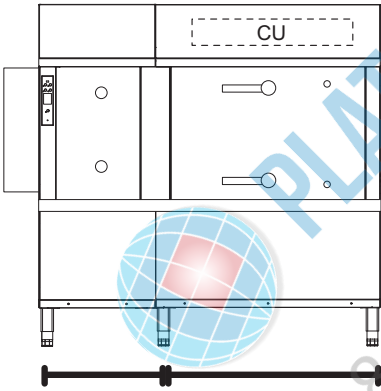
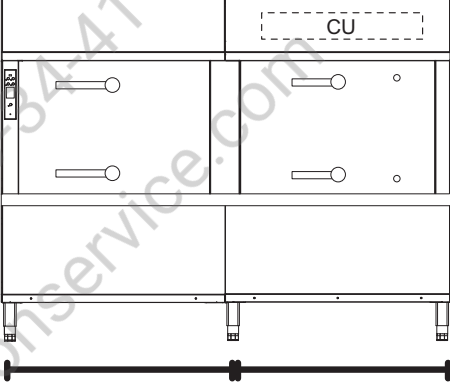
Doc. Nr.: **595664900**

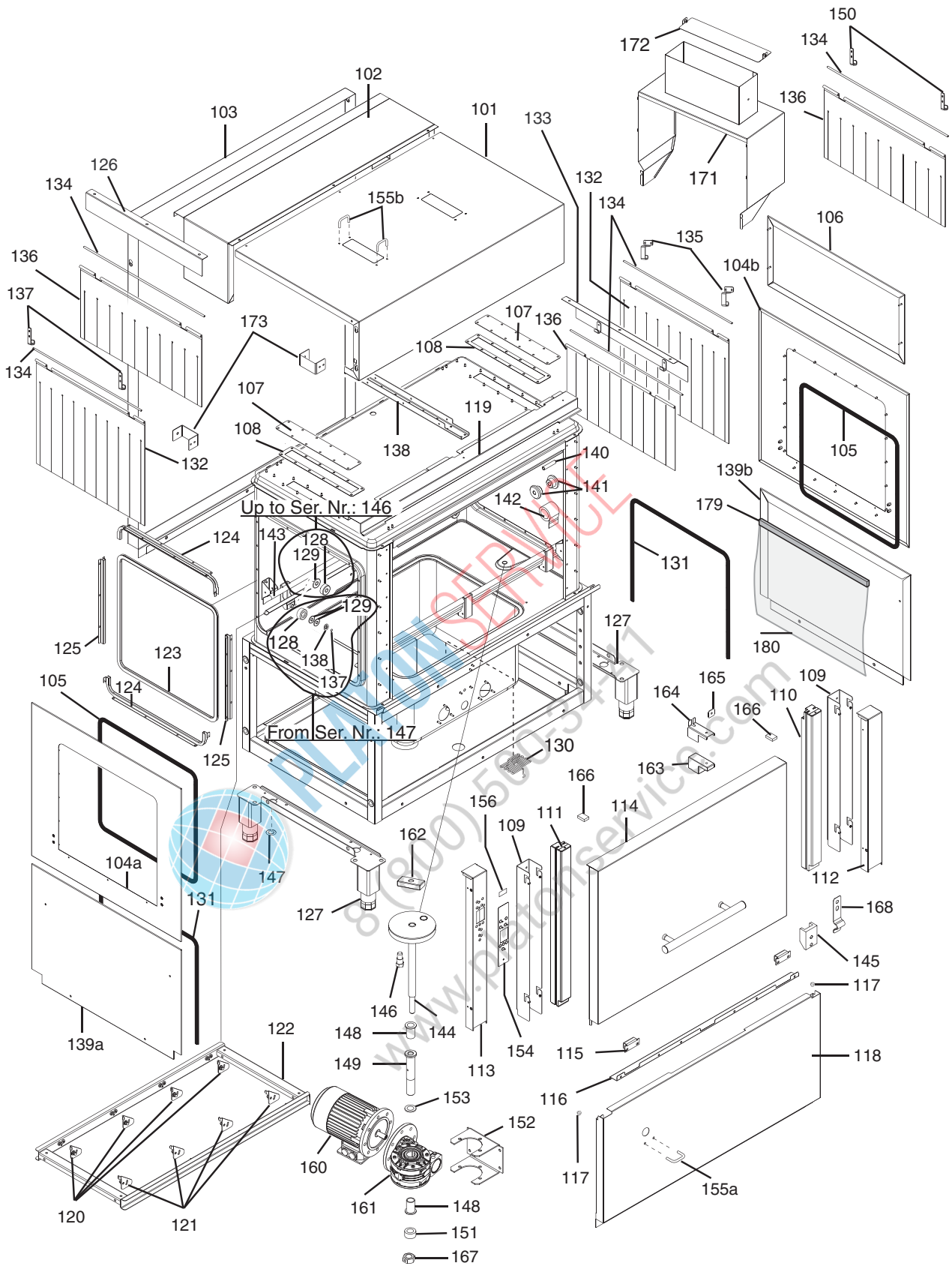
(6-57001)

INDICE / INDEX

| Disegno/ Drawing | Descrizione / Description | Pagina/ Page |
|---------------------|--|-----------------|
| | PROSPETTO COMPOSIZIONE MODULI / VIEW OF MODULE COMPOSITION | 3 |
| iii. 657001p1 | Lavaggio + Risciacquo da 44", vista generale / Wash + Rinse from 44", Main view | 4 |
| | Lista ricambi / Spare parts list | 5 |
| iii. 657001p2 | Prelavaggio da 22", vista generale / Prewash from 22", Main view | 8 |
| | Lista ricambi / Spare parts list | 9 |
| iii. 657001p3 | Prelavaggio da 44", vista generale / Prewash from 44", Main view | 11 |
| | Lista ricambi / Spare parts list | 12 |
| iii. 657001p4 | Lavaggio+Risciacquo da 44", Circuito Idraulico lavaggio/ Wash+Rinse from 44", Wash hydraulic circuit | 14 |
| | Lista ricambi / Spare parts list | 15 |
| iii. 657001p5 | Lavaggio+Risciacquo da 44", Circuito Idraulico a pressione risciacquo/ Wash+Rinse from 44", Rinse pressure hydraulic circuit | 17 |
| | Lista ricambi / Spare parts list | 18 |
| iii. 657001p6 | Prelavaggio da 22", Circuito Idraulico / Prewash from 22", Hydraulic circuit | 20 |
| | Lista ricambi / Spare parts list | 21 |
| iii. 657001p7 | Prelavaggio da 44", Circuito Idraulico / Prewash from 44", Hydraulic circuit | 23 |
| | Lista ricambi / Spare parts list | 24 |
| iii. 657001p8 | Lavaggio+Risciacquo da 44", Componenti elettrici / Wash+Rinse from 44", Electrical components | 26 |
| | Lista ricambi / Spare parts list | 27 |
| iii. 657001p9 | Prelavaggio da 22", Componenti elettrici / Prewash from 22", Electrical components | 30 |
| | Lista ricambi / Spare parts list | 31 |
| iii. 657001p10 | Prelavaggio da 44", Componenti elettrici / Prewash from 44", Electrical components | 32 |
| | Lista ricambi / Spare parts list | 33 |
| iii. 657001p11 | Kit Air gap (Only for Middle East version - WTCS140XXO/ WTCS180XXO) | 35 |
| | Lista ricambi / Spare parts list | 36 |

PROSPETTO COMPOSIZIONE MODULI / VIEW OF MODULE COMPOSITION

| RTC90 / WTC90 | RTC140 / WTC140 |
|--|---|
|  <p style="text-align: center;">Lavaggio + Risciacquo / Wash + Rinse (44")</p> |  <p style="text-align: center;">Lavaggio + Risciacquo / Wash + Rinse (44")</p> |
| <p>ill. 657001p1 pag. 4 ill. 657001p4 pag. 14 ill. 657001p5 pag. 17 ill. 657001p8 pag. 26</p> | <p>ill. 657001p1 pag. 4 ill. 657001p4 pag. 14 ill. 657001p5 pag. 17 ill. 657001p8 pag. 26</p> |
| RTC180 / WTC180 | RTC250 / WTC250 |
|  <p style="text-align: center;">Prelavaggio / Lavaggio + Risciacquo / Prewash (22") Wash + Rinse (44")</p> |  <p style="text-align: center;">Prelavaggio / Prewash (44") Lavaggio + Risciacquo / Wash + Rinse (44")</p> |
| <p>ill. 657001p2 pag. 8 ill. 657001p7 pag. 23 ill. 657001p9 pag. 30</p> <p style="text-align: right;">ill. 657001p1 pag. 4 ill. 657001p4 pag. 14 ill. 657001p5 pag. 17 ill. 657001p8 pag. 26</p> | <p>ill. 657001p3 pag. 11 ill. 657001p7 pag. 23 ill. 657001p9 pag. 30</p> <p style="text-align: right;">ill. 657001p1 pag. 4 ill. 657001p4 pag. 14 ill. 657001p5 pag. 17 ill. 657001p8 pag. 26</p> |



iii. 657001p1

Lavaggio + Risciacquo da 44", vista generale/ Wash + Rinse from 44", Main view

| Lavaggio + Risciacquo da 44", vista generale | | | | ill. 657001p1 | | Grassetto = variazioni |
|--|--------------|----------------------|------------------------|-----------------------------------|------------------------------|-----------------------------|
| Wash + Rinse from 44", Main view | | | | | | Bold Print = changes |
| Pos. | Q.tà Q.ty | Cod.ric. Part No. | Cod. Fab. Fac. code | Descrizione | Description | Note Notes |
| 101 | 1 | 0L1723 | 830654B00 | Copertura mobile CU | CU mobile cover | Up to Ser. Nr.: 908 |
| 101 | 1 | 0L2041 | 830654B03 | Copertura mobile CU | CU mobile cover | From Ser. Nr.: 909 |
| 101 | 1 | 0L2041 | 830654B02 | Copertura mobile CU | CU mobile cover | Up to Ser.: 5141 |
| 101 | 1 | 0LXXXX | 83065GC00 | Copertura mobile CU | CU mobile cover | From Ser.: 5151 |
| 102 | 1 | 0L1517 | 830652000 | Copertura fissa CU | CU fixed cover | Up to Ser. Nr.: 908 |
| 103 | 1 | 0L1721 | 830654A01 | Schienale | Back panel | Up to Ser. Nr.: 908 |
| 103 | 1 | 0L2040 | 830654A03 | Schienale | Back panel | From Ser. Nr.: 909 |
| | | | | | | Up to Ser. Nr.: 146 |
| 103 | 1 | 0L2542 | 830657Y00 | Schienale | Back panel | From Ser. Nr.: 147 |
| 104a | 1 | 0L0826 | 830638203 | Pannello sinistro | Left panel | Not for 140 b/h |
| 104b | 1 | 0L0880 | 830638303 | Pannello destro | Right panel | Not for 140 b/h |
| 104a | 1 | 0L1726 | 830654E02 | Pannello sinistro | Left panel | For 140 b/h |
| 104b | 1 | 0L1725 | 830654D02 | Pannello destro | Right panel | For 140 b/h |
| 105 | 2 | 0L0875 | 543629700 | Guarnizione | Gasket | |
| 106 | 2 | 0L1584 | 830651401 | Fianco copertura CU | CU cover flank | |
| 107 | 2 | 0L0877 | 800667301 | Tappo CU | CU plug | |
| 108 | 2 | 0L0876 | 543631001 | Guarnizione tappo CU | CU plug gasket | |
| 109 | 1 | 0L1169 | 830643202 | Supporto pannello | Panel support | |
| 110 | 1 | 0L0832 | 830637101 | Guida porta destra | Right door rail | |
| 111 | 1 | 0L0833 | 830637201 | Guida porta sinistra | Left door rail | |
| 112 | 1 | 0L0856 | 830641103 | Pannello stretto | Slim panel | |
| 113 | 1 | 0L1706 | 830654C01 | Pannello interfaccia utente | User interface panel | |
| 114 | 1 | 0L1510 | 835620901 | Porta | Door | Up to Ser: 1450 |
| 114 | 1 | 0L2461 | 835621F00 | Porta | Door | From Ser: 1451 |
| 115 | 2 | 0E2898 | W00143601 | Supporto molla | Spring support | |
| 116 | 1 | 0L1492 | 5046A2301 | Paraspruzzi | Splashguard | |
| 117 | 4 | 0L0839 | 549644800 | Perno aggancio | Locking stud | |
| 118 | 1 | 0L1722 | 503617D02 | Pannello inferiore | Lower panel | Up to Ser. Nr.: 146 |
| 118 | 1 | 0L2628 | 503617D03 | Pannello inferiore | Lower panel | From Ser. Nr.: 147 |
| 119 | 1 | 0L1520 | 503613802 | Carter | Carter | Up to Ser.: 5141 |
| 119 | 1 | 0L3562 | 5046ABB00 | Carter | Carter | From Ser.: 5151 |
| 120 | 4 | 0L1314 | 5046A3800 | Dente traino destro | Right rack tooth | |
| 121 | 4 | 0L1315 | 5046A3900 | Dente traino sinistro | Left rack tooth | |
| 122 | 1 | 0L1303 | 830632401 | Slitta | Slide | |
| 123 | 1 | 0L0827 | 543630300 | Guarnizione | Gasket | |
| 124 | 2 | 0L0992 | 502697601 | Copertura orizzontale guarnizione | Gasket horizontal cover | |
| 125 | 2 | 0L0991 | 502697501 | Copertura verticale guarnizione | Gasket vertical cover | |
| 126 | 1 | 0L0852 | 800667800 | Sostegno tendina singola corta | Single short curtain support | |
| 127 | 2 | 0L0853 | 503603601 | Piedi telaio | Frame feet | |
| 128 | 6 | 0L2443 | W00017300 | Boccola aggancio slitta | Trail lock device | Up to Ser. Nr.: 146 |
| 128 | 6 | 0L2520 | 547604800 | Boccola aggancio slitta | Trail lock device | From Ser. Nr.: 147 |
| 129 | 6 | 0L2174 | 549646100 | Distanziale | Roller spacer | Up to Ser. Nr.: 146 |
| 129 | 12 | 0L2174 | 549646100 | Distanziale | Roller spacer | From Ser. Nr.: 147 |
| 130 | 1 | 0L2515 | 5146A4100 | Protezione scarico | Drain screen | From Ser. Nr.: 147 |
| 131 | 2 | 0L2167 | 543633J00 | Guarnizione pannello inferiore | Lower side panel gasket | |
| 132 | 2 | 0L1732 | 541617000 | Tendina doppia lunga | Double long curtain | |
| 133 | 1 | 0L1768 | 800667600 | Sostegno tendina singola corta | Single short curtain support | |
| 134 | 6 | 0E5826 | RT0003700 | Asse tendina | Curtain rod | |
| 135 | 2 | 0L1172 | 505600001 | Gancio tendina | Curtain hook | |
| 136 | 4 | 0L1733 | 541617100 | Tendina singola corta | Single short curtain | |

| Lavaggio + Risciacquo da 44", vista generale Wash + Rinse from 44", Main view | | | | ill. 657001p1 | Grassetto = variazioni Bold Print = changes | |
|--|--------------|----------------------|------------------------|------------------------------|--|---|
| Pos. | Q.tà Q.ty | Cod.ric. Part No. | Cod. Fab. Fac. code | Descrizione | Description | Note Notes |
| 137 | 6 | 0L2522 | 219614400 | Anello di tenuta | Retainer ring | From Ser. Nr.: 147 |
| 138 | 6 | 0L2521 | 5066A0R00 | Dischetto contenimento rulli | Flanged washer | From Ser. Nr.: 147 |
| 139a | 1 | 0L1720 | 5026B8F00 | Fianco inferiore sinistro | Left lower flank | From Ser.: 1451 |
| 139b | 1 | 0L1719 | 5026B8D00 | Fianco inferiore destro | Right lower flank | From Ser.: 1451 |
| 140 | 2 | 0L0857 | 515659300 | Camicia molla | Coil sleeve | |
| 141 | 4 | 0L1170 | 546631100 | Boccola molla | Spring bush | |
| 142 | 2 | 0E5167 | W00093300 | Molla | Spring | |
| 143 | 2 | 0L1505 | 830646701 | Guida cesto | Basket guide | Up to Ser. Nr.: 146 |
| 143 | 2 | 0L2519 | 830657T00 | Guida cesto | Basket guide | From Ser. Nr.: 147 |
| 143 | 2 | 0L2519 | 830657T00 | Guida cesto | Basket guide | Up to Ser. Nr.: 1450 |
| 143 | 2 | 0L3289 | 83065AN01 | Guida cesto | Basket guide | From Ser. Nr.: 1451 |
| 143 | 2 | 0L2590 | 835621U00 | Kit guida cesto | Basket guide kit | Up to Ser. Nr.: 147 |
| 143 | 2 | 0L2590 | 835621U01 | Kit guida cesto | Basket guide kit | From Ser. Nr.: 1451 |
| 144 | 1 | 0L1308 | 835620702 | Asse trascinamento | Conveyor shaft | |
| 145 | 2 | 0L0861 | 541612801 | Fermo porta | Door stop | |
| 146 | 1 | 0L1278 | 514695102 | Perno | Pin | |
| 147 | 3 | 0L0993 | 541612500 | Tappo | Plug | |
| 148 | 2 | 0E5043 | W00115100 | Boccola | Bush | |
| 149 | 1 | 0L0847 | 514695001 | Asse motoriduttore | Gear motor rod | |
| 150 | 2 | 0L0997 | RT0021201 | Gancio tendina | Curtain hook | For 140 b/h |
| 151 | 1 | 0E5187 | W00111300 | Anello di arresto | Blocking ring | |
| 152 | 1 | 0L0849 | 830640401 | Supporto motoriduttore | Gear motor support | Up to Ser. Nr.: 928 |
| 152 | 1 | 0L2091 | 504696302 | Supporto motoriduttore | Gear motor support | From Ser. Nr.: 929 Up to Ser. Nr.: 019 |
| 152 | 1 | 0L2317 | 504696303 | Supporto motoriduttore | Gear motor support | From Ser. Nr.: 020 |
| 153 | 4 | 0L0152 | RT0020700 | Molla a tazza | Spring washer | |
| 154 | 1 | 0L1747 | 548649900 | Membrana adesiva destra | Right control panel | Electrolux |
| 154 | 1 | 0L1745 | 548649700 | Membrana adesiva destra | Right control panel | Electrolux - 1 speed |
| 154 | 1 | 0L1746 | 548649800 | Membrana adesiva sinistra | Left control panel | Electrolux |
| 154 | 1 | 0L1744 | 548649600 | Membrana adesiva sinistra | Left control panel | Electrolux - 1 speed |
| 154 | 1 | 0L1715 | 548648L00 | Membrana adesiva destra | Right control panel | Multibrand |
| 154 | 1 | 0L1713 | 548648J00 | Membrana adesiva destra | Right control panel | Multibrand -1 speed |
| 154 | 1 | 0L1716 | 548648M00 | Membrana adesiva sinistra | Left control panel | Multibrand |
| 154 | 1 | 0L1714 | 548648K00 | Membrana adesiva sinistra | Left control panel | Multibrand - 1 speed |
| 155a | 1 | 0L1181 | 5146A0500 | Protezione sezionatore | Main switch protection | Up to Ser. Nr.: 146 |
| 155a | 1 | 0L2514 | 5146A4F00 | Protezione sezionatore | Main switch protection | From Ser. Nr.: 147 |
| 155b | 2 | 0L2514 | 5146A4F00 | Protezione CU | CU protection | Only for machine with CU From Ser. Nr.: 147 |
| 156 | 1 | 0L1717 | 548649100 | Marchio adesivo | Sticker | Zanussi |
| 156 | 1 | 0L1718 | 548649200 | Marchio adesivo | Sticker | Alpeninox |
| 160 | 1 | 0L1280 | 611634100 | Motore | Motor | |
| 161 | 1 | 0L1281 | 835621300 | Riduttore | Gearmotor | |
| 162 | 5 | 0L1275 | 547604600 | Pattino | Slider | |
| 163 | 2 | 0L1471 | 543631300 | Guarnizione | Gasket | |
| 164 | 2 | 0L1470 | 502697402 | Squadretta guarnizione | Gasket cover | |
| 165 | 2 | 0L1469 | 503609200 | Rondella quadrata | Square washer | |
| 166 | 2 | 0L1597 | 565615200 | Guarnizione guida porta | Door guide gasket | |

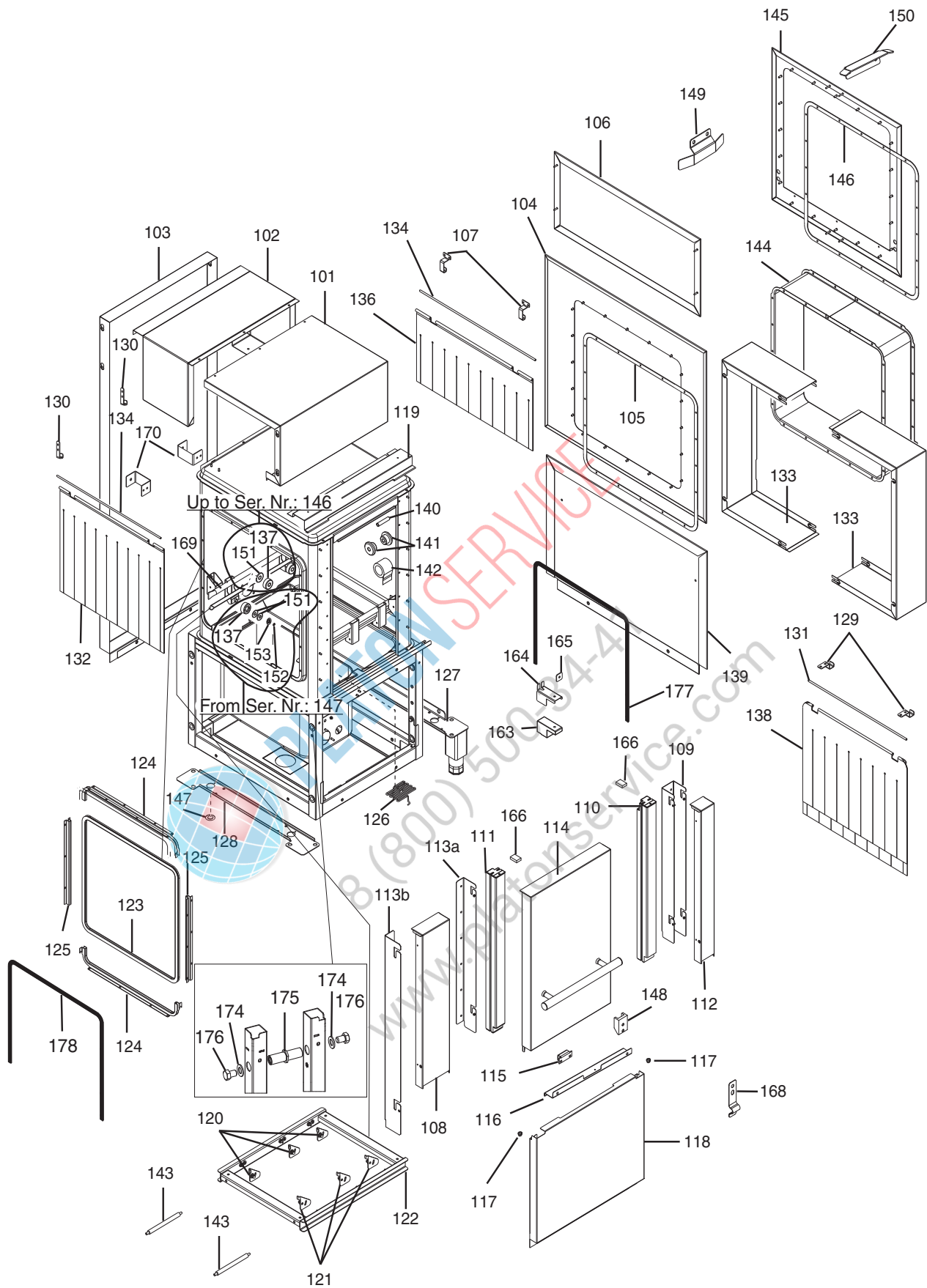
| Pos. | Q.tà Q.ty | Cod.ric. Part No. | Cod. Fab. Fac. code | Descrizione | Description | Note Notes |
|------|--------------|----------------------|------------------------|----------------------------|---------------------------|---|
| 167 | 1 | 0L1712 | 5146A2500 | Dado | Nut | |
| 168 | 2 | 0L1528 | 507690700 | Scrocco | Spring latch | |
| 171 | 1 | 0L1770 | 830654L01 | Cappa aspirazione vapore | Steam suction hood | |
| 172 | 1 | 0L1583 | 805664300 | Parzializzatore | Shutter | |
| 173 | 2 | 0L1046 | 507689001 | Supporto schienale | Panel support | From Ser. Nr.: 909 Up to Ser. Nr.: 928 |
| 173 | 2 | 0L2088 | 805664Q00 | Supporto schienale | Panel support | From Ser. Nr.: 929 |
| 179 | 1 | 049931 | 590603500 | Velcro (H=20 cm, L=63 cm) | Velcro (H=20 cm, L=63 cm) | From Ser. Nr.: 147 |
| 180 | 1 | 0L2554 | 569608F00 | Foglio protezione inverter | Inverter protection panel | From Ser. Nr.: 147 |



PLATON SERVICE

8 (800) 500-34-41

www.platonservice.com

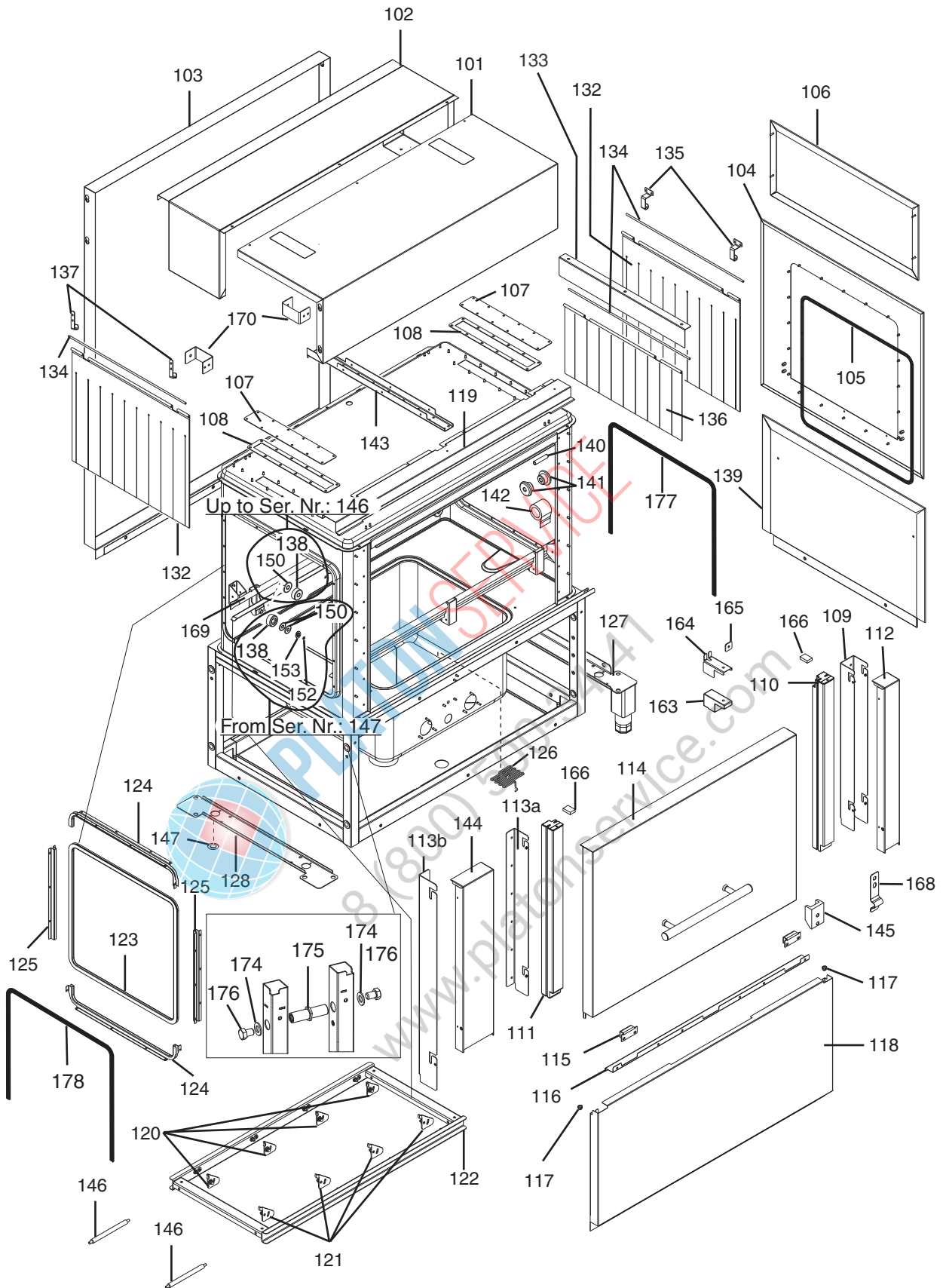


iii. 657001p2

Prelavaggio da 22", vista generale / Prewash from 22", Main view

| Pos. | Q.tà Q.ty | Cod.ric. Part No. | Cod. Fab. Fac. code | Descrizione | Description | Note Notes |
|------|--------------|----------------------|------------------------|-----------------------------------|--------------------------|---------------------|
| 101 | 1 | 0L1493 | 830652500 | Copertura mobile CU | CU mobile cover | Up to Ser. Nr.: 908 |
| 101 | 1 | 0L2042 | 830654Z01 | Copertura mobile CU | CU mobile cover | From Ser. Nr.: 909 |
| 102 | 1 | 0L1586 | 830651900 | Copertura fissa CU | CU fixed cover | Up to Ser. Nr.: 908 |
| 103 | 1 | 0L1522 | 830653301 | Schienale | Back panel | Up to Ser. Nr.: 908 |
| 103 | 1 | 0L2043 | 830654X01 | Schienale | Back panel | From Ser. Nr.: 909 |
| | | | | | | Up to Ser. Nr.: 146 |
| 103 | 1 | 0L2541 | 830657X00 | Schienale | Back panel | From Ser. Nr.: 147 |
| 104 | 1 | 0L0976 | 830636803 | Pannello destro interno | Internal right panel | |
| 104 | 1 | 0L1179 | 830636603 | Pannello sinistro interno | Internal left panel | |
| 105 | 1 | 0L0875 | 543629700 | Guarnizione | Gasket | |
| 106 | 1 | 0L1584 | 830651401 | Fianco copertura CU | CU cover flank | |
| 107 | 2 | 0L1172 | 505600001 | Gancio tendina | Curtain hook | |
| 108 | 1 | 0L0984 | 830641003 | Pannello | Panel | |
| 109 | 1 | 0L1169 | 830643202 | Supporto pannello | Panel support | |
| 110 | 1 | 0L0832 | 830637101 | Guida porta destra | Right door rail | |
| 111 | 1 | 0L0833 | 830637201 | Guida porta sinistra | Left door rail | |
| 112 | 1 | 0L0856 | 830641103 | Pannello stretto | Slim panel | |
| 113a | 1 | 0L1047 | 830643101 | Supporto pannello | Panel support | |
| 113b | 1 | 0L1049 | 830643001 | Supporto pannello | Panel support | |
| 114 | 1 | 0L1509 | 835620801 | Porta | Door | Up to Ser: 1450 |
| 114 | 1 | 0L2462 | 835621N00 | Porta | Door | From Ser: 1451 |
| 115 | 1 | 0E2898 | W00143601 | Supporto molla | Spring support | |
| 116 | 1 | 0L1491 | 5046A2201 | Paraspruzzi | Splashguard | |
| 117 | 4 | 0L0839 | 549644800 | Perno aggancio | Locking stud | |
| 118 | 1 | 0L1523 | 503613201 | Pannello inferiore | Lower panel | |
| 119 | 1 | 0L1524 | 503613702 | Carter | Carter | |
| 120 | 3 | 0L1314 | 5046A3800 | Dente traino destro | Right rack tooth | |
| 121 | 3 | 0L1315 | 5046A3900 | Dente traino sinistro | Left rack tooth | |
| 122 | 1 | 0L1305 | 830636905 | Slitta | Slide | |
| 123 | 1 | 0L0827 | 543630300 | Guarnizione | Gasket | |
| 124 | 2 | 0L0992 | 502697601 | Copertura orizzontale guarnizione | Gasket horizontal cover | |
| 125 | 2 | 0L0991 | 502697501 | Copertura verticale guarnizione | Gasket vertical cover | |
| 126 | 1 | 0L2515 | 5146A4100 | Protezione scarico | Drain screen | From Ser. Nr.: 147 |
| 127 | 1 | 0L0853 | 503603601 | Piedi telaio | Frame feet | |
| 128 | 1 | 0L0854 | 502696002 | Supporto piede | Feet support | |
| 129 | 2 | 0L0898 | 506600400 | Gancio tendina | Curtain hook | |
| 130 | 4 | 0L1171 | 503610500 | Sostegno tendina | Curtain support | |
| 131 | 3 | 0L0873 | 514699200 | Asse tendina | Curtain rod | |
| 132 | 1 | 0L1732 | 541617000 | Tendina doppia lunga | Double long curtain | |
| 133 | 2 | 0L0887 | 503605801 | Fascia laterale bocca | Inlet lateral cover | |
| 134 | 3 | 0E5826 | RT0003700 | Asse tendina | Curtain rod | |
| 136 | 1 | 0L1767 | 541616900 | Tendina doppia corta | Double short curtain | |
| 137 | 4 | 0L2443 | W00017300 | Boccola aggancio slitta | Trail lock device | Up to Ser. Nr.: 146 |
| 137 | 4 | 0L2520 | 547604800 | Boccola aggancio slitta | Trail lock device | From Ser. Nr.: 147 |
| 138 | 1 | 0L1765 | 541617200 | Tendina smussata | Rounded curtain | |
| 139 | 1 | 0L1719 | 5026B8D00 | Fianco inferiore destro | Right lower flank | From Ser: 1451 |
| 140 | 1 | 0L0857 | 515659300 | Camicia molla | Coil sleeve | |
| 141 | 2 | 0L1170 | 546631100 | Boccola molla | Spring bush | |
| 142 | 1 | 0E5167 | W00093300 | Molla | Spring | |
| 143 | 2 | 0L1769 | 5146A2800 | Asse collegamento traino | Drawing connection shaft | |
| 144 | 1 | 0L0888 | 503606400 | Tunnel bocca | Inlet tunnel | |

| Prelavaggio da 22", vista generale Prewash from 22", Main view | | | | ill. 657001p2 | Grassetto = variazioni Bold Print = changes | |
|---|--------------|----------------------|------------------------|------------------------------|--|---|
| Pos. | Q.tà Q.ty | Cod.ric. Part No. | Cod. Fab. Fac. code | Descrizione | Description | Note Notes |
| 145 | 1 | 0L0975 | 830636701 | Pannello destro | Right panel | |
| 146 | 1 | 0L0920 | 543631100 | Guarnizione | Gasket | |
| 147 | 3 | 0L0993 | 541612500 | Tappo | Plug | |
| 148 | 2 | 0L0861 | 541612801 | Fermo porta | Door stop | |
| 149 | 2 | 0L1173 | 502698400 | Guida cesto laterale | Lateral rack rail | |
| 150 | 2 | 0L1200 | 502698301 | Supporto cesto inferiore | Lower rack support | |
| 151 | 4 | 0L2174 | 549646100 | Distanziale | Roller spacer | Up to Ser. Nr.: 146 |
| 151 | 8 | 0L2174 | 549646100 | Distanziale | Roller spacer | From Ser. Nr.: 147 |
| 152 | 4 | 0L2522 | 219614400 | Anello di tenuta | Retainer ring | From Ser. Nr.: 147 |
| 153 | 4 | 0L2521 | 5066A0R00 | Dischetto contenimento rulli | Flanged washer | From Ser. Nr.: 147 |
| 163 | 2 | 0L1471 | 543631300 | Guarnizione | Gasket | |
| 164 | 2 | 0L1470 | 502697402 | Squadretta guarnizione | Gasket cover | |
| 165 | 2 | 0L1469 | 503609200 | Rondella quadrata | Square washer | |
| 166 | 2 | 0L1597 | 565615200 | Guarnizione guida porta | Door guide gasket | |
| 168 | 2 | 0L1528 | 507690700 | Scrocco | Spring latch | |
| 169 | 2 | 0L1500 | 830646401 | Guida cesto | Basket guide | Up to Ser. Nr.: 146 |
| 169 | 2 | 0L2523 | 830657U00 | Guida cesto | Basket guide | From Ser. Nr.: 147 |
| 169 | 2 | 0L2523 | 830657U00 | Guida cesto | Basket guide | Up to Ser. Nr.: 4501 |
| 169 | 2 | 0L3351 | 83065AQ01 | Guida cesto | Basket guide | From Ser. Nr.: 4511 |
| 169 | 2 | 0L3351 | 83065AQ01 | Guida cesto | Basket guide | Up to Ser. Nr.: 5141 Only for RTC180- WTCS180 |
| 169 | 2 | 0L2523 | 830657U00 | Guida cesto | Basket guide | From Ser. Nr.: 5151 Only for RTC180- WTCS180 |
| 169 | 2 | 0L2591 | 835621V00 | Kit guida cesto | Basket guide kit | Up to Ser. Nr.: 4501 |
| 169 | 2 | 0L2591 | 835621V01 | Kit guida cesto | Basket guide kit | From Ser. Nr.: 4511 |
| 170 | 2 | 0L1046 | 507689001 | Supporto schienale | Panel support | From Ser. Nr.: 909 Up to Ser. Nr.: 928 |
| 170 | 2 | 0L2088 | 805664Q00 | Supporto schienale | Panel support | From Ser. Nr.: 929 |
| 174 | 8 | 0L2329 | 206008195 | Rondella 15X28 | Washer 15X28 | From Ser. Nr.: 020 |
| 175 | 4 | 0L2324 | 5146A2401 | Distanziale | Spacer | From Ser. Nr.: 020 |
| 176 | 8 | 0L2328 | 217018205 | Vite M14X20 | Screw M14X20 | From Ser. Nr.: 020 |
| 177 | 1 | 0L2167 | 543633J00 | Guarnizione | Gasket | From Ser. Nr.: 020 |
| 178 | 1 | 0L2311 | 543633H00 | Guarnizione | Gasket | From Ser. Nr.: 020 |



III. 657001p3

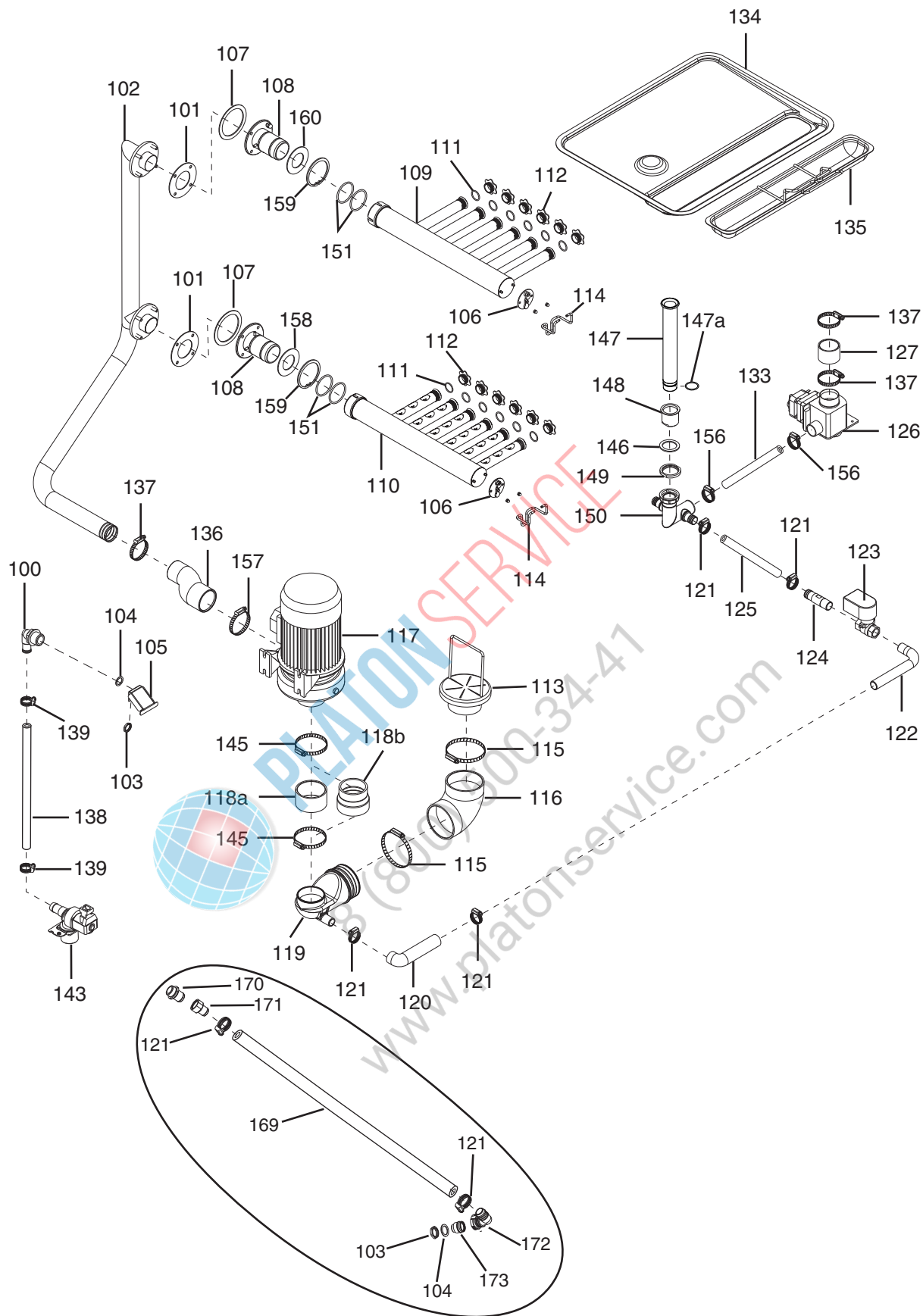
Prelavaggio da 44", vista generale / Prewash from 44", Main view

| Pos. | Q.tà Q.ty | Cod.ric. Part No. | Cod. Fab. Fac. code | Descrizione | Description | Note Notes |
|------|--------------|----------------------|------------------------|-----------------------------------|------------------------------|---|
| 101 | 1 | 0L1723 | 830654B00 | Copertura mobile CU | CU mobile cover | Up to Ser. Nr.: 908 |
| 101 | 1 | 0L2041 | 830654B02 | Copertura mobile CU | CU mobile cover | From Ser. Nr.: 909 |
| 101 | 1 | 0L2041 | 830654B02 | Copertura mobile CU | CU mobile cover | Up to Ser.: 5141 |
| 101 | 1 | 0LXXXX | 83065GC00 | Copertura mobile CU | CU mobile cover | From Ser.: 5151 |
| 102 | 1 | 0L1517 | 830652000 | Copertura fissa CU | CU fixed cover | Up to Ser. Nr.: 908 |
| 103 | 1 | 0L1721 | 830654A01 | Schienale | Back panel | Up to Ser. Nr.: 908 |
| 103 | 1 | 0L2040 | 830654A03 | Schienale | Back panel | From Ser. Nr.: 909 Up to Ser. Nr.: 146 |
| 103 | 1 | 0L2542 | 830657Y00 | Schienale | Back panel | From Ser. Nr.: 147 |
| 104 | 1 | 0L0880 | 830638303 | Pannello destro | Right panel | |
| 105 | 1 | 0L0875 | 543629700 | Guarnizione | Gasket | |
| 106 | 1 | 0L1584 | 830651401 | Fianco copertura CU | CU cover flank | |
| 107 | 2 | 0L0877 | 800667301 | Tappo CU | CU plug | |
| 108 | 2 | 0L0876 | 543631001 | Guarnizione tappo CU | CU plug gasket | |
| 109 | 1 | 0L1169 | 830643202 | Supporto pannello laterale | Panel support | |
| 110 | 1 | 0L0832 | 830637101 | Guida porta destra | Right door rail | |
| 111 | 1 | 0L0833 | 830637201 | Guida porta sinistra | Left door rail | |
| 112 | 1 | 0L0856 | 830641103 | Pannello stretto | Slim panel | |
| 113a | 1 | 0L1047 | 830643101 | Supporto pannello | Panel support | |
| 113b | 1 | 0L1049 | 830643001 | Supporto pannello | Panel support | |
| 114 | 1 | 0L1510 | 835620901 | Porta | Door | Up to Ser: 1450 |
| 114 | 1 | 0L2461 | 835621F00 | Porta | Door | From Ser: 1451 |
| 115 | 2 | 0E2898 | W00143601 | Supporto molla | Spring support | |
| 116 | 1 | 0L1492 | 5046A2301 | Paraspruzzi | Splashguard | |
| 117 | 4 | 0L0839 | 549644800 | Perno aggancio | Locking stud | |
| 118 | 1 | 0L0890 | 503609901 | Pannello inferiore | Lower panel | |
| 119 | 1 | 0L1520 | 503613802 | Carter | Carter | Up to Ser.: 5141 |
| 119 | 1 | 0L3562 | 5046ABB00 | Carter | Carter | From Ser.: 5151 |
| 120 | 3 | 0L1314 | 5046A3800 | Dente traino destro | Right rack tooth | |
| 121 | 3 | 0L1315 | 5046A3900 | Dente traino sinistro | Left rack tooth | |
| 122 | 1 | 0L1303 | 830632401 | Slitta | Slide | |
| 123 | 1 | 0L0827 | 543630300 | Guarnizione | Gasket | |
| 124 | 2 | 0L0992 | 502697601 | Copertura orizzontale guarnizione | Gasket horizontal cover | |
| 125 | 2 | 0L0991 | 502697501 | Copertura verticale guarnizione | Gasket vertical cover | |
| 126 | 1 | 0L2515 | 5146A4100 | Protezione scarico | Drain screen | From Ser. Nr.: 147 |
| 127 | 1 | 0L0853 | 503603601 | Piedi telaio | Frame feet | |
| 128 | 1 | 0L0854 | 502696002 | Supporto piede | Feet support | |
| 132 | 2 | 0L1732 | 541617000 | Tendina doppia lunga | Double long curtain | |
| 133 | 2 | 0L0852 | 800667800 | Sostegno tendina singola corta | Single short curtain support | |
| 134 | 2 | 0E5826 | RT0003700 | Asse tendina | Curtain rod | |
| 135 | 2 | 0L1172 | 505600001 | Gancio tendina | Curtain hook | |
| 136 | 1 | 0L1733 | 541617100 | Tendina singola corta | Single short curtain | |
| 137 | 2 | 0L1171 | 503610500 | Gancio tendina | Curtain hook | |
| 138 | 6 | 0L2443 | W00017300 | Boccola aggancio slitta | Trail lock device | Up to Ser. Nr.: 146 |
| 138 | 6 | 0L2520 | 547604800 | Boccola aggancio slitta | Trail lock device | From Ser. Nr.: 147 |
| 139 | 1 | 0L1719 | 5026B8D00 | Fianco inferiore destro | Right lower flank | From Ser: 1451 |
| 140 | 2 | 0L0857 | 515659300 | Camicia molla | Coil sleeve | |

| Pos. | Q.tà Q.ty | Cod.ric. Part No. | Cod. Fab. Fac. code | Descrizione | Description | Note Notes |
|------|--------------|----------------------|------------------------|------------------------------|--------------------------|---------------------|
| 141 | 4 | 0L1170 | 546631100 | Boccola molla | Spring bush | |
| 142 | 2 | 0E5167 | W00093300 | Molla | Spring | |
| 143 | 1 | 0L0867 | 503607302 | Rinforzo CU | CU reinforcement | |
| 144 | 1 | 0L0984 | 830641003 | Pannello | Panel | |
| 145 | 2 | 0L0861 | 541612801 | Fermo porta | Door stop | |
| 146 | 2 | 0L0841 | 514695200 | Asse collegamento traino | Drawing connection shaft | |
| 147 | 3 | 0L0993 | 541612500 | Tappo | Plug | |
| 150 | 6 | 0L2174 | 549646100 | Distanziale | Roller spacer | Up to Ser. Nr.: 146 |
| 150 | 12 | 0L2174 | 549646100 | Distanziale | Roller spacer | From Ser. Nr.: 147 |
| 152 | 6 | 0L2522 | 219614400 | Anello di tenuta | Retainer ring | From Ser. Nr.: 147 |
| 153 | 6 | 0L2521 | 5066A0R00 | Dischetto contenimento rulli | Flanged washer | From Ser. Nr.: 147 |
| 163 | 2 | 0L1471 | 543631300 | Guarnizione | Gasket | |
| 164 | 2 | 0L1470 | 502697402 | Squadretta guarnizione | Gasket cover | |
| 165 | 2 | 0L1469 | 503609200 | Rondella quadrata | Square washer | |
| 166 | 2 | 0L1597 | 565615200 | Guarnizione guida porta | Door guide gasket | |
| 168 | 2 | 0L1528 | 507690700 | Scrocco | Spring latch | |
| 169 | 2 | 0L1505 | 830646701 | Guida cesto | Basket guide | Up to Ser. Nr.: 146 |
| 169 | 2 | 0L2590 | 835621U00 | Kit guida cesto | Basket guide kit | From Ser. Nr.: 147 |
| 170 | 2 | 0L1046 | 507689001 | Supporto schienale | Panel support | From Ser. Nr.: 909 |
| 170 | 2 | 0L2088 | 805664Q00 | Supporto schienale | Panel support | Up to Ser. Nr.: 928 |
| 174 | 8 | 0L2329 | 206008195 | Rondella 15X28 | Washer 15X28 | From Ser. Nr.: 929 |
| 175 | 4 | 0L2324 | 5146A2401 | Distanziale | Spacer | From Ser. Nr.: 020 |
| 176 | 8 | 0L2328 | 217018205 | Vite M14X20 | Screw M14X20 | From Ser. Nr.: 020 |
| 177 | 1 | 0L2167 | 543633J00 | Guarnizione | Gasket | From Ser. Nr.: 020 |
| 178 | 1 | 0L2311 | 543633H00 | Guarnizione | Gasket | From Ser. Nr.: 020 |



8 (800) 500 500
www.platonservice.com



III. 657001p4

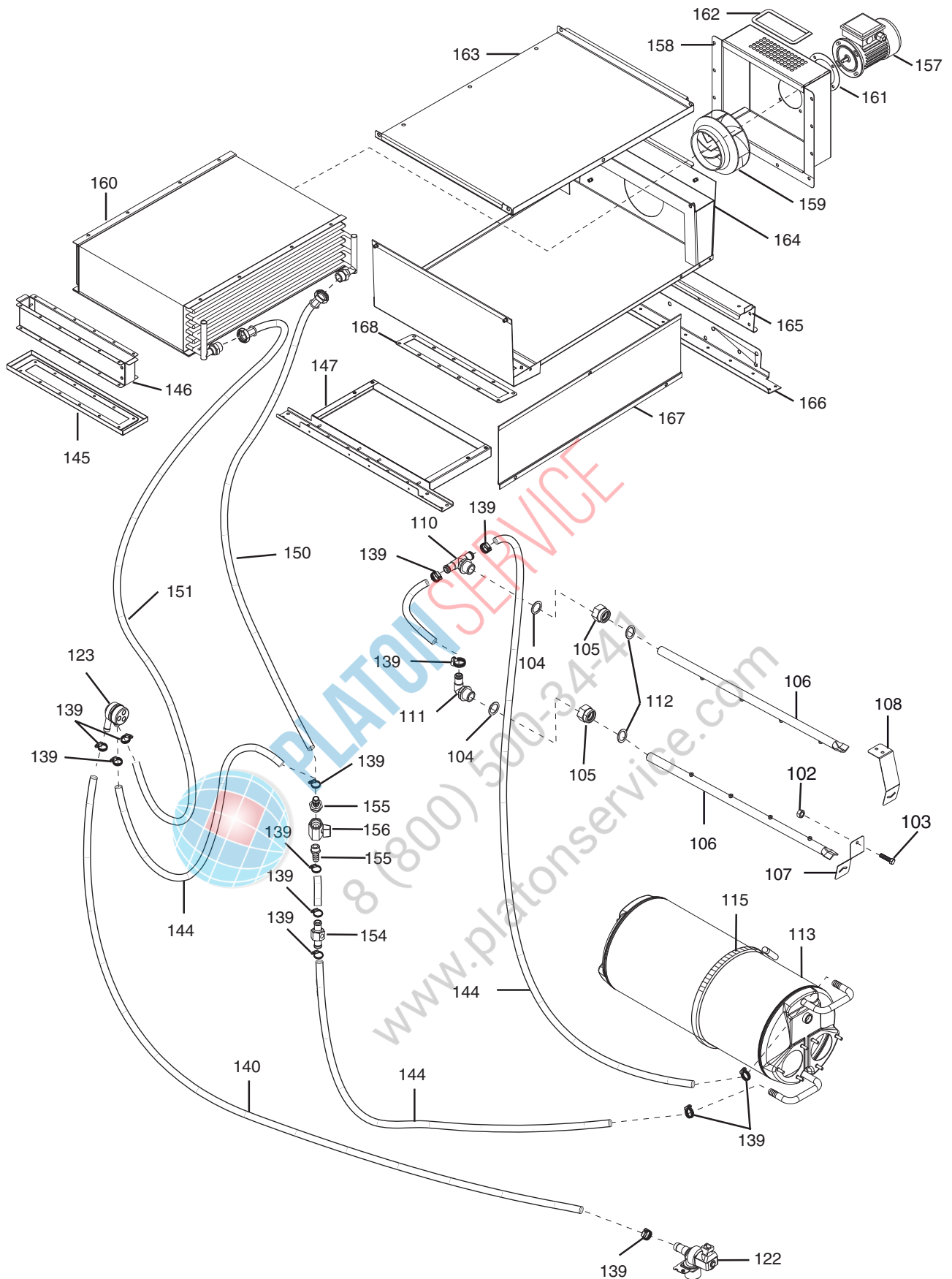
Lavaggio+Risciacquo da 44", Circuito Idrraulico lavaggio/Wash+Rinse from 44", Wash hydraulic circuit

| Lavaggio + Risciacquo da 44", Circuito Idraulico lavaggio | | | | ill. 657001p4 | Grassetto = variazioni | |
|---|--------------|----------------------|------------------------|-----------------------------|------------------------|---------------------|
| Wash + Rinse from 44", Wash hydraulic circuit | | | | | Bold Print = changes | |
| Pos. | Q.tà Q.ty | Cod.ric. Part No. | Cod. Fab. Fac. code | Descrizione | Description | Note Notes |
| 100 | 1 | 0L0653 | 511619900 | Raccordo a gomito | Elbow fitting | |
| 101 | 2 | 0L0919 | 543629400 | Guarnizione | Gasket | |
| 102 | 1 | 0L1187 | 830632603 | Tube lavaggio | Wash pipe | |
| 103 | 1 | 0E5424 | W00525400 | Dado 1/2" G | Nut 1/2" G | |
| 104 | 1 | 0E5122 | W00500800 | Guarnizione | Gasket | Up to Ser.Nr.: 045 |
| 104 | 1 | 0L2402 | 569608800 | Guarnizione | Gasket | From Ser.Nr.: 046 |
| 105 | 1 | 0E5848 | RT0011900 | Paraspruzzi ingresso | Inlet splashguard | |
| 106 | 2 | 0L1370 | 800669401 | Coperchio aggancio bracci | Arms coupling cover | |
| 107 | 2 | 0L0923 | 543632400 | O-ring 65.09x3.53 | O-ring 65.09x3.53 | |
| 108 | 2 | 0L1188 | 830633101 | Innesto bracci lavaggio | Wash arms fitting | |
| 109 | 1 | 0L1709 | 830654600 | Braccio lavaggio | Washing arm | Right machine |
| 109 | 1 | 0L1710 | 830654700 | Braccio lavaggio | Washing arm | Left machine |
| 110 | 1 | 0L1710 | 830654700 | Braccio lavaggio | Washing arm | Left machine |
| 110 | 1 | 0L1709 | 830654600 | Braccio lavaggio | Washing arm | Right machine |
| 111 | 12 | 0L0922 | 543632300 | O-ring 26,65x2,62 | O-ring 26,65x2,62 | |
| 112 | 12 | 0L1711 | 541617400 | Tappo | Plug | |
| 113 | 1 | 0L0951 | 800666601 | Filtro aspirazione | Suction filter | |
| 114 | 2 | 0L0905 | 514697101 | Aggancio bracci | Arms lock | Up to Ser. Nr.: 928 |
| 114 | 2 | 0L2087 | 5146A2100 | Aggancio bracci | Arms lock | From Ser. Nr.: 929 |
| 115 | 2 | 0L0915 | 518682700 | Fascetta 100-120 | Clamp 100-120 | |
| 116 | 1 | 0L0930 | 544635700 | Manicotto aspirazione pompa | Pump suction hose | |
| 117 | 1 | 0L1735 | 611636900 | Pompa | Pump | 140/250 b/h |
| 117 | 1 | 0L1234 | 611631100 | Pompa | Pump | 90/180 b/h |
| 118a | 1 | 0L1734 | 544685900 | Manicotto aspirazione | Suction hose | 140/250 b/h |
| 118b | 1 | 0L1354 | 544639800 | Manicotto aspirazione | Suction hose | 90/180 b/h |
| 119 | 1 | 0L0928 | 544635200 | Collettore aspirazione | Suction manifold | |
| 120 | 1 | 049880 | 544631300 | Manicotto aspirazione | Suction hose | |
| 121 | 4 | 047578 | 518604001 | Fascetta 25-40 | Clamp 25-40 | |
| 122 | 1 | 0L0910 | 515660200 | Tube a gomito | Elbow pipe | |
| 123 | 1 | 0L1199 | 696617800 | Elettrovalvola | Solenoid valve | |
| 124 | 1 | 0L0912 | 515660400 | Tube 26.9X2 | Pipe 26.9X2 | |
| 125 | | 049287 | 140066043 | Tube 25.5X3.75 | Pipe 25.5X3.75 | |
| 126 | 1 | 0L2506 | 696618600 | Elettrovalvola di scarico | Drain solenoid valve | |
| 127 | 1 | 0L0934 | 544639900 | Manicotto scarico vasca | Tank drain hose | |
| 130 | 1 | 0E5424 | W00525400 | Dado 1/2" | Nut 1/2" | |
| 133 | 1 | 0L0939 | 544683100 | Tube 40x5 | Hose 40x5 | |
| 134 | 1 | 0L0892 | 504694300 | Filtro vasca | Tank filter | |
| 135 | 1 | 0L0973 | 830634900 | Filtro a cestello | Basket filter | |
| 136 | 1 | 0L0936 | 544640100 | Manicotto mandata | Delivery hose | 140/250 b/h |
| 136 | 1 | 0L1267 | 544683300 | Manicotto mandata | Delivery hose | 90/180 b/h |
| 137 | 2 | 046855 | 518602801 | Fascetta 50-70 | Clamp 50-70 | |
| 138 | 1 | 048531 | 140066039 | Tube 12x19.5 mm | Hose 12x19.5 mm | Up to Ser. Nr.: 045 |
| 138 | 2m | 049379 | 140066047 | Tube 12x19.5 mm | Hose 12x19.5 mm | From Ser. Nr.: 046 |
| 139 | 2 | 048126 | 518609801 | Fascetta 12-22/9 | Clamp 12-22/9 | |
| 143 | 1 | 0L1198 | 696617400 | Elettrovalvola | Solenoid valve | Up to Ser.Nr.: 019 |
| 143 | 1 | 0L2327 | 696618400 | Elettrovalvola | Solenoid valve | From Ser.Nr.: 020 |
| 145 | 2 | 0L0914 | 518682600 | Fascetta 80-100 | Clamp 80-100 | |
| 146 | 1 | 065506 | 246037900 | O-ring 42.86x3.53 | O-ring 42.86x3.53 | |

| Lavaggio + Risciacquo da 44", Circuito Idraulico lavaggio | | | | ill. 657001p4 | | Grassetto = variazioni |
|---|--------------|----------------------|------------------------|-----------------------------|----------------------|---|
| Wash + Rinse from 44", Wash hydraulic circuit | | | | | | Bold Print = changes |
| Pos. | Q.tà Q.ty | Cod.ric. Part No. | Cod. Fab. Fac. code | Descrizione | Description | Note Notes |
| 147 | 1 | 0L1430 | 515657801 | Troppopieno | Overflow | Up to S. Nr. 019 |
| 147 | 1 | 0L2295 | 830657300 | Troppopieno + o-ring | Overflow + o-ring | From Ser. Nr.: 020 |
| 147a | 1 | 0L2359 | 543634100 | O-ring per troppopieno | O-ring for overflow | |
| 148 | 1 | 075624 | 511607200 | Piletta di scarico | Drain | |
| 149 | 1 | 066079 | 215190400 | Dado 1 1/2" | Nut 1 1/2" | |
| 150 | 1 | 0L0953 | 805659801 | Collettore scarico lavaggio | Wash drain manifold | |
| 151 | 4 | 0L1276 | 543633200 | O-ring 0500-30 50X3 | O-ring 0500-30 50X3 | |
| 156 | 2 | 0L0193 | 518614400 | Fascetta 40-60 | Clamp 40-60 | |
| 157 | 1 | 046853 | 518602901 | Fascetta 60-80 | Clamp 60-80 | |
| 158 | 1 | 0L1216 | 503614500 | Parzializzatore | Shutter | 90/180 b/h |
| 158 | 1 | 0L1754 | 5026B0E00 | Parzializzatore | Shutter | 140/250 b/h |
| 159 | 2 | 0L1189 | 219065212 | Anello 52 UNI 7437 | Ring 52 UNI 7437 | |
| 160 | 1 | 0L1185 | 5026A3000 | Parzializzatore | Shutter | 140/250 b/h |
| 169 | 0.8 mt | 0L2426 | 140600300 | Tubo 20x3 | Hose 20x3 | Only for 90 and 140 From Ser. Nr.: 046 |
| 169 | 1.4 mt | 0L2426 | 140600300 | Tubo 20x3 | Hose 20x3 | Only for 180 From Ser. Nr.: 046 |
| 169 | 1.7 mt | 0L2426 | 140600300 | Tubo 20x3 | Hose 20x3 | Only for 250 From Ser. Nr.: 046 |
| 170 | 1 | 0L2423 | 5146A3B00 | Portagomma G 1/2" M | Hose holder G 1/2" M | From Ser. Nr.: 046 |
| 171 | 1 | 0L2424 | 5146A3C00 | Portagomma G 1/2" F | Hose holder G 1/2" F | From Ser. Nr.: 046 |
| 172 | 1 | 0L0918 | 541613400 | Raccordo a gomito | Elbow fitting | From Ser. Nr.: 046 |
| 173 | 1 | 0L2425 | 5146A0100 | Raccordo | Fitting | From Ser. Nr.: 046 |



PLATONSERVICE
8 (800) 500-3411
www.platonservice.com



III. 657001p5

Lavaggio+Risciacquo da 44" , Circuito Idrraulico a pressione risciacquo/ Wash+Rinse from 44" , Rinse pressure hydraulic circuit

| Lavaggio + Risciacquo da 44", Circuito Idraulico a pressione risciacquo | | | | ill. 657001p5 | Grassetto = variazioni | |
|---|--------------|----------------------|------------------------|--------------------------------|--------------------------|--|
| Wash+Rinse from 44", Rinse pressure hydraulic circuit | | | | | Bold Print = changes | |
| Pos. | Q.tà Q.ty | Cod.ric. Part No. | Cod. Fab. Fac. code | Descrizione | Description | Note Notes |
| 102 | 1 | 0TH077 | 218574005 | Dado M6 | Nut M6 | From Ser. Nr.: 147 |
| 103 | 1 | 0L2413 | 217014145 | Vite M6X16mm | Bolt M6X16mm | From Ser. Nr.: 147 |
| 104 | 2 | 0E5122 | W00500800 | Guarnizione | Gasket | Up to Ser.Nr.: 045 |
| 104 | 2 | 0L2402 | 569608800 | Guarnizione | Gasket | From Ser.Nr.: 046 |
| 105 | 2 | 0L0907 | 514698201 | Dado bracci risciacquo | Rinse arms nut | |
| 106 | 2 | 0L1467 | 830650900 | Braccio risciacquo (5 lt/ min) | Rinse arm (5 lt/ min) | For RTC250/WTC250 Up to Ser. Nr.: 146 |
| 106 | 2 | 0L2631 | 830657N00 | Braccio risciacquo (5 lt/ min) | Rinse arm (5 lt/ min) | For RTC250/WTC250 From Ser. Nr.: 147 |
| 106 | 2 | 0L1468 | 830651100 | Braccio risciacquo (4 lt/ min) | Rinse arm (4 lt/ min) | Not for RTC250/WTC250 Up to Ser. Nr.: 146 |
| 106 | 2 | 0L2529 | 830657M00 | Braccio risciacquo (4 lt/ min) | Rinse arm (4 lt/ min) | Not for RTC250/WTC250 From Ser. Nr.: 147 |
| 107 | 1 | 0L1463 | 5056A0800 | Molla inferiore risciacquo | Rinse lower spring | Up to Ser. Nr.: 146 |
| 107 | 1 | 0L2518 | 5056A1J00 | Molla inferiore risciacquo | Rinse lower spring | From Ser. Nr.: 147 |
| 108 | 1 | 0L1462 | 5056A0700 | Molla superiore risciacquo | Rinse upper spring | Up to Ser. Nr.: 146 |
| 108 | 1 | 0L2517 | 5056A1H00 | Molla superiore risciacquo | Rinse upper spring | From Ser. Nr.: 147 |
| 110 | 1 | 0L0652 | 511619800 | Raccordo a "T" | "T" fitting | |
| 111 | 1 | 0L0653 | 511619900 | Raccordo a "L" | "L" fitting | |
| 112 | 2 | 0E5118 | W00524500 | O-ring 17.3 x 2.4 | O-ring 17.3 x 2.4 | |
| 113 | 1 | 0L1766 | 850662G00 | Boiler | Boiler | Up to Ser.Nr.: 851 |
| 113 | 1 | 0L1959 | 850663500 | Boiler | Boiler | From Ser.Nr.: 852 Up to Ser.Nr.: 021 Not for Middle East |
| 113 | 1 | 0L1766 | 850662G01 | Boiler | Boiler | From Ser.Nr.: 022 Not for Middle East |
| 113 | 1 | 0L1983 | 850663L01 | Boiler | Boiler | For Middle East |
| 115 | 1 | 0L2551 | 518684F00 | Fascetta 200-220/12 Inox | Clamp 200-220/12 | Inox/ Stainless Steel |
| 122 | 1 | 0L1198 | 696617400 | Elettrovalvola | Solenoid valve | Up to Ser.Nr.: 019 |
| 122 | 1 | 0L2327 | 696618400 | Elettrovalvola | Solenoid valve | From Ser.Nr.: 020 |
| 123 | 1 | 049332 | 544625400 | Valvola DVGW | DVGW valve | Up to Ser.Nr.: 835 |
| 123 | 1 | 0L1892 | 544685800 | Valvola DVGW | DVGW valve | From Ser.Nr.: 836 |
| 139 | 14 | 048126 | 518609801 | Fascetta 12-22/9 | Clamp 12-22/9 | |
| 140 | 1 | 048531 | 140066039 | Tubo 12x19.5 mm | Hose 12x19.5 mm | Up to Ser. Nr.: 045 |
| 140 | 2m | 049379 | 140066047 | Tubo 12x19.5 mm | Hose 12x19.5 mm | From Ser. Nr.: 046 |
| 144 | 4m | 048531 | 140066039 | Tubo 12x19.5 mm | Hose 12x19.5 mm | |
| 145 | 1 | 0L1727 | 5046A6B00 | Vaschetta CU lato aspirazione | CU tray suction side | Up to Ser.: 5141 |
| 146 | 1 | 0L1729 | 830654H00 | Convogliatore aspirazione CU | CU suction manifold | Up to Ser.: 5141 |
| 147 | 1 | 0L1728 | 800672400 | Vaschetta CU lato ventola | CU tray fan side | Up to Ser.: 5141 |
| 150 | 1 | 0L0988 | 830642900 | Tubo scarico CU | CU drain hose | |
| 151 | 1 | 0L0987 | 830642800 | Tubo alimentazione CU | CU feeding hose | |
| 154 | 1 | 0E3080 | W00502600 | Raccordo | Fitting | |
| 155 | 2 | 0L0040 | 514692200 | Portagomma 1/2" | Hose holder 1/2" | |
| 156 | 1 | 0L1351 | 514600200 | Rubinetto | Gate valve | |
| 157 | 1 | 0L0946 | 611630400 | Motore ventola CU | CU fan motor | |
| 158 | 1 | 0L0952 | 800668202 | Supporto motore | Motor support | Up to Ser.: 5141 |
| 158 | 1 | 0L3569 | 541618H00 | Supporto motore | Motor support | From Ser.: 5151 |
| 158 | 1 | 0L3569 | 541618H00 | Supporto motore | Motor support | Up to Ser.: 6261 |
| 158 | 1 | 0L3765 | 83065P200 | Supporto motore | Motor support | From Ser.: 6271 |
| 159 | 1 | 0L0941 | 549644900 | Ventola CU | CU fan | |
| 160 | 1 | 0L1730 | 511620800 | Scambiatore aria-acqua | Water-air heat exchanger | Up to Ser.: 5141 |

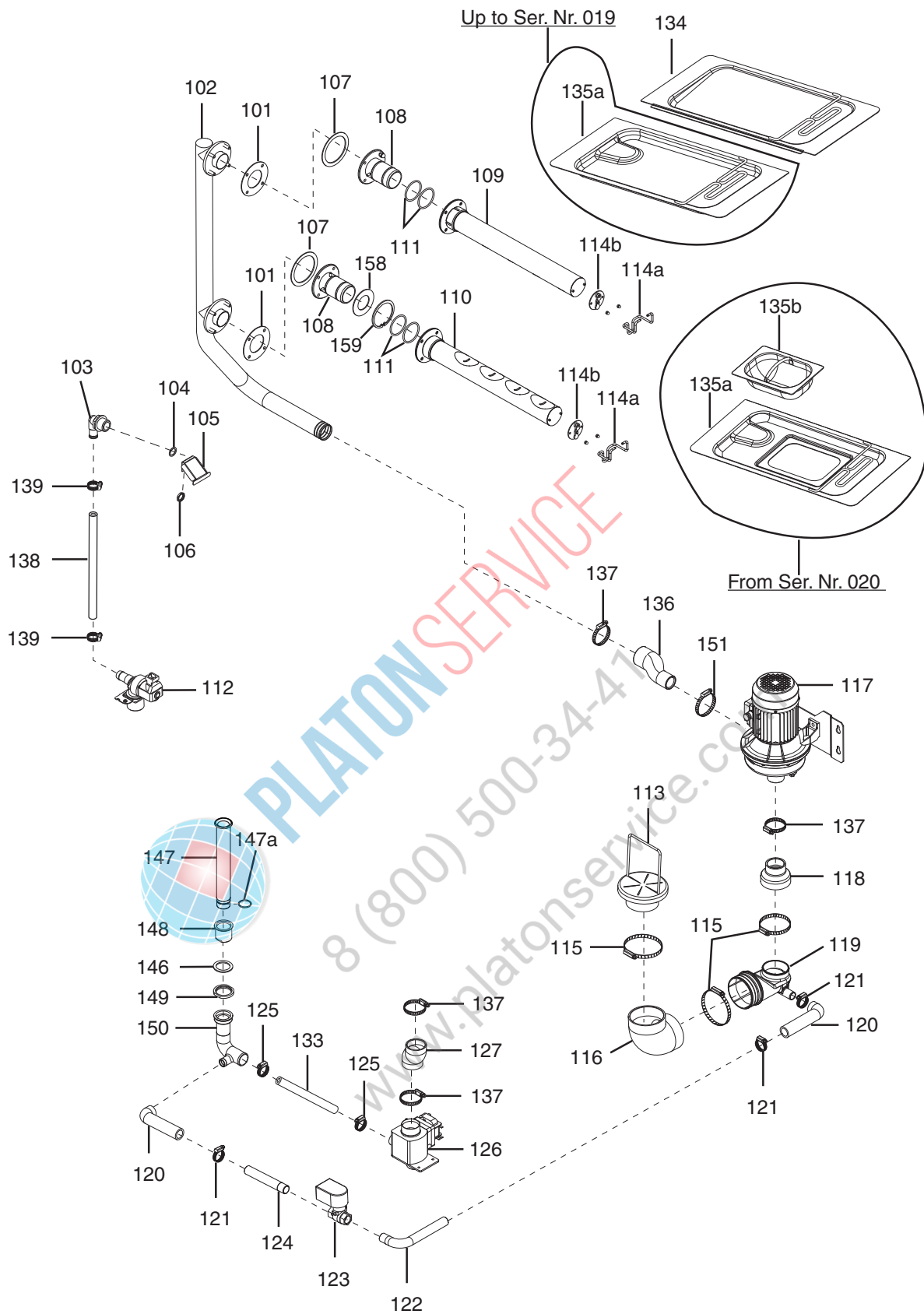
| Pos. | Q.tà Q.ty | Cod. ric. Part No. | Cod. Fab. Fac. code | Descrizione | Description | Note Notes |
|------|--------------|-----------------------|------------------------|-----------------------------|--------------------------|-----------------|
| 160 | 1 | 0L3573 | 511621200 | Scambiatore aria-acqua | Water-air heat exchanger | From Ser.: 5151 |
| 161 | 1 | 0L3570 | 543635S00 | Guarnizione motore CU | CU motor gasket | From Ser.: 5151 |
| 162 | 1 | 0L0689 | 140036014 | Guarnizione copertura CU | CU cover gasket | From Ser.: 5151 |
| 163 | 1 | 0L3560 | 5046AB901 | Coperchio CU | CU cover | From Ser.: 5151 |
| 164 | 1 | 0L3566 | 86065D600 | Supporto CU | CU support | From Ser.: 5151 |
| 165 | 1 | 0L3567 | 83065D800 | Supporto base CU | Bracket for CU support | From Ser.: 5151 |
| 166 | 1 | 0L3568 | 83065D901 | Traverso di sostegno per CU | Support for CU bracket | From Ser.: 5151 |
| 167 | 1 | 0L3561 | 83065DD01 | Copertura posteriore CU | Back CU cover | From Ser.: 5151 |
| 168 | 1 | 0L0876 | 543631001 | Guarnizione CU | CU gasket | From Ser.: 5151 |



PLATON SERVICE

8 (800) 500-34-41

www.platonservice.com



iii. 657001p6

Prelavaggio da 22", Circuito Idraulico/ Prewash from 22", Hydraulic circuit

| Prelavaggio da 22", Circuito Idraulico | | | | ill. 657001p6 | | Grassetto = variazioni |
|--|--------------|----------------------|------------------------|-------------------------------|----------------------|------------------------|
| Prewash from 22", Hydraulic circuit | | | | | | Bold Print = changes |
| Pos. | Q.tà Q.ty | Cod.ric. Part No. | Cod. Fab. Fac. code | Descrizione | Description | Note Notes |
| 101 | 2 | 0L0919 | 543629400 | Guarnizione | Gasket | |
| 102 | 1 | 0L1186 | 830632703 | Tubo prelavaggio | Upper prewash pipe | |
| 103 | 1 | 0L0653 | 511619900 | Raccordo a gomito | Elbow fitting | |
| 104 | 1 | 0E5122 | W00500800 | Guarnizione | Gasket | Up to Ser.Nr.: 045 |
| 104 | 1 | 0L2402 | 569608800 | Guarnizione | Gasket | From Ser.Nr.: 046 |
| 105 | 1 | 0E5848 | RT0011900 | Paraspruzzi ingresso | Inlet splashguard | |
| 106 | 1 | 0E5424 | W00525400 | Dado 1/2" G | Nut 1/2" G | |
| 107 | 2 | 0L0923 | 543632400 | O-ring 65.09x3.53 | O-ring 65.09x3.53 | |
| 108 | 2 | 0L1188 | 830633101 | Innesto bracci prelavaggio | Prewash arms fitting | |
| 109 | 1 | 0L0974 | 830635702 | Braccio prelavaggio superiore | Upper prewashing arm | Up to Ser:5051 |
| 109 | 1 | 0L3471 | 83065FS00 | Braccio prelavaggio superiore | Upper prewashing arm | From Ser:5061 |
| 110 | 1 | 0L0985 | 830641302 | Braccio prelavaggio inferiore | Lower prewashing arm | Up to Ser:5051 |
| 110 | 1 | 0L3472 | 83065FV00 | Braccio prelavaggio inferiore | Lower prewashing arm | From Ser:5061 |
| 111 | 4 | 0L1276 | 543633200 | O-ring 0500-30 50X3 | O-ring 0500-30 50X3 | |
| 112 | 1 | 0L1198 | 696617400 | Elettrovalvola | Solenoid valve | Up to Ser.Nr.: 019 |
| 112 | 1 | 0L2327 | 696618400 | Elettrovalvola | Solenoid valve | From Ser.Nr.: 020 |
| 113 | 1 | 0L0951 | 800666601 | Filtro aspirazione | Suction filter | |
| 114a | 2 | 0L0905 | 514697101 | Aggancio bracci | Arms lock | Up to Ser. Nr.: 928 |
| 114a | 2 | 0L2087 | 5146A2100 | Aggancio bracci | Arms lock | From Ser. Nr.: 929 |
| 114b | 2 | 0L1370 | 800669401 | Coperchio aggancio bracci | Arms coupling cover | |
| 115 | 3 | 0L0915 | 518682700 | Fascetta 100-120 | Clamp 100-120 | |
| 116 | 1 | 0L0930 | 544635700 | Manicotto aspirazione pompa | Pump suction hose | |
| 117 | 1 | 0L1195 | 611631200 | Pompa | Pump | |
| 118 | 1 | 0L1355 | 544683600 | Manicotto aspirazione | Suction hose | |
| 119 | 1 | 0L1551 | 544635100 | Collettore aspirazione | Suction manifold | |
| 120 | 2 | 049880 | 544631300 | Manicotto aspirazione | Suction hose | |
| 121 | 2 | 047578 | 518604001 | Fascetta 25-40 | Clamp 25-40 | |
| 122 | 1 | 0L0910 | 515660200 | Tubo a gomito | Elbow pipe | |
| 123 | 1 | 0L1199 | 696617800 | Elettrovalvola | Solenoid valve | |
| 124 | 1 | 0L0911 | 515660300 | Tubo 26.9X2 | Pipe 26.9X2 | |
| 125 | 2 | 0L0193 | 518614400 | Fascetta 40-60 | Clamp 40-60 | |
| 126 | 1 | 0L2506 | 696618600 | Elettrovalvola di scarico | Drain solenoid valve | |
| 127 | 1 | 0L0935 | 544640000 | Manicotto scarico vasca | Tank drain hose | |
| 133 | 1 | 0L0939 | 544683100 | Tubo 40x5 | Hose 40x5 | |
| 134 | 1 | 0L1167 | 830643401 | Filtro inclinato vasca | Tank inclined filter | |
| 135a | 1 | 0L1166 | 830643300 | Filtro piano vasca | Tank flat filter | Up to Ser. Nr.: 019 |
| 135a | 1 | 0L2290 | 830656100 | Filtro piano vasca | Tank flat filter | From Ser. Nr.: 020 |
| 135b | 1 | 048252 | 830617602 | Filtro cestello | Basket filter | From Ser. Nr.: 020 |
| 136 | 1 | 0L1268 | 544683500 | Manicotto mandata | Delivery hose | |
| 137 | 4 | 046855 | 518602801 | Fascetta 50-70 | Clamp 50-70 | |
| 138 | 1 | 048531 | 140066039 | Tubo 12x19.5 mm | Hose 12x19.5 mm | Up to Ser. Nr.: 045 |
| 138 | 2m | 049379 | 140066047 | Tubo 12x19.5 mm | Hose 12x19.5 mm | From Ser. Nr.: 046 |
| 139 | 2 | 048126 | 518609801 | Fascetta 12-22 | Clamp 12-22 | |
| 146 | 1 | 065506 | 246037900 | O-ring 42.86x3.53 | O-ring 42.86x3.53 | |

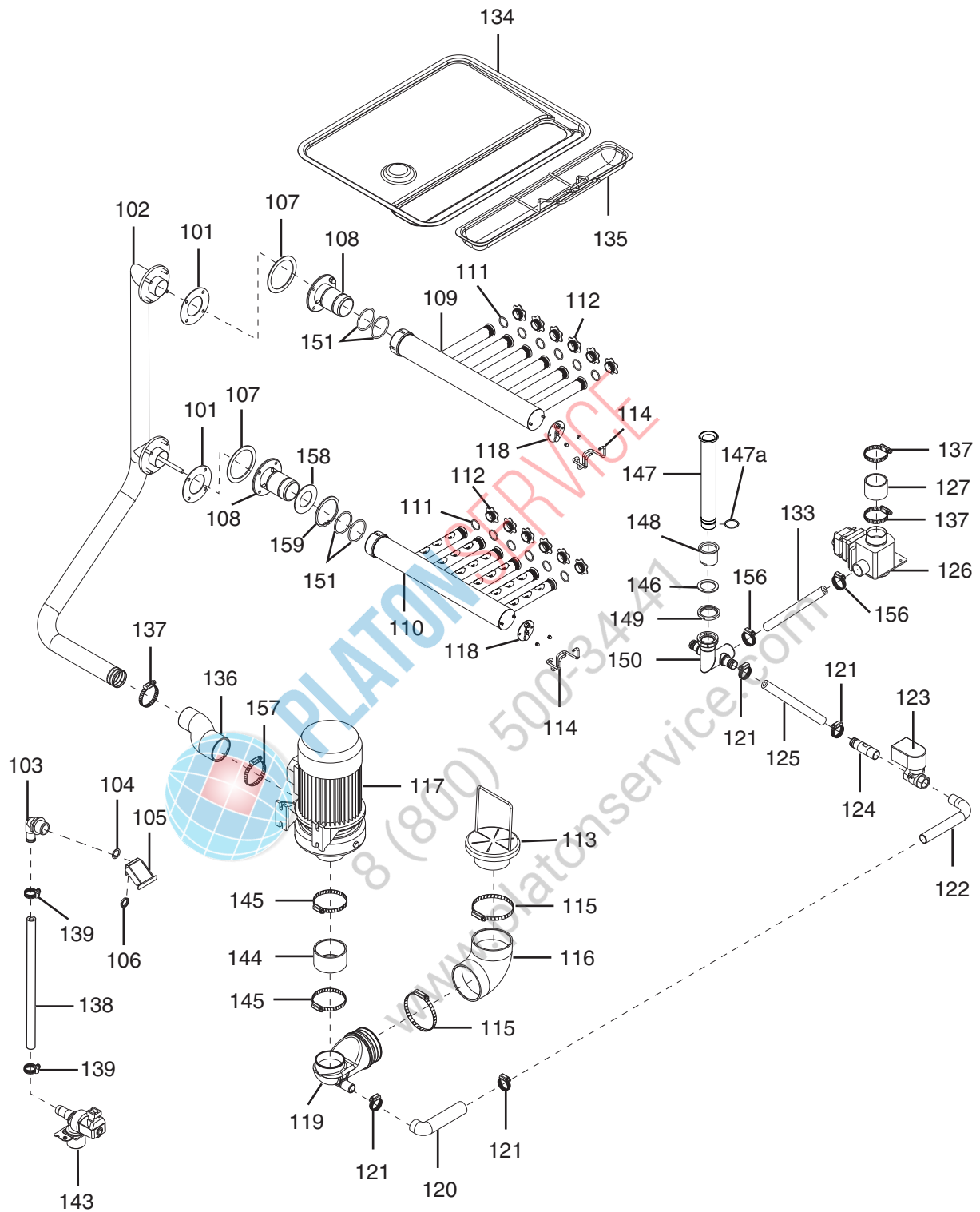
| Prelavaggio da 22", Circuito Idraulico Prewash from 22", Hydraulic circuit | | | | ill. 657001p6 | Grassetto = variazioni Bold Print = changes | |
|---|--------------|----------------------|------------------------|--------------------------------|--|------------------|
| Pos. | Q.tà Q.ty | Cod.ric. Part No. | Cod. Fab. Fac. code | Descrizione | Description | Note Notes |
| 147 | 1 | 0L1431 | 515657902 | Troppopieno | Overflow | Up to S. Nr. 019 |
| 147 | 1 | 0L2296 | 830657400 | Troppopieno | Overflow | From S. Nr. 020 |
| 147a | 1 | 0L2359 | 543634100 | O-ring per troppopieno | O-ring for overflow | |
| 148 | 1 | 075624 | 511607200 | Piletta di scarico | Drain | |
| 149 | 1 | 066079 | 215190400 | Dado 1 1/2" | Nut 1 1/2" | |
| 150 | 1 | 0L0954 | 805659902 | Collettore scarico prelavaggio | Prewash drain manifold | |
| 151 | 1 | 046878 | 518602701 | Fascetta 35-50 | Clamp 35-50 | |
| 158 | 1 | 0L1184 | 5026A3100 | Parzializzatore | Shutter | |
| 159 | 1 | 0L1189 | 215065212 | Anello 52 UNI 7437 | Ring 52 UNI 7437 | |



PLATON SERVICE

8 (800) 500-34-41

www.platonservice.com



ill. 657001p7

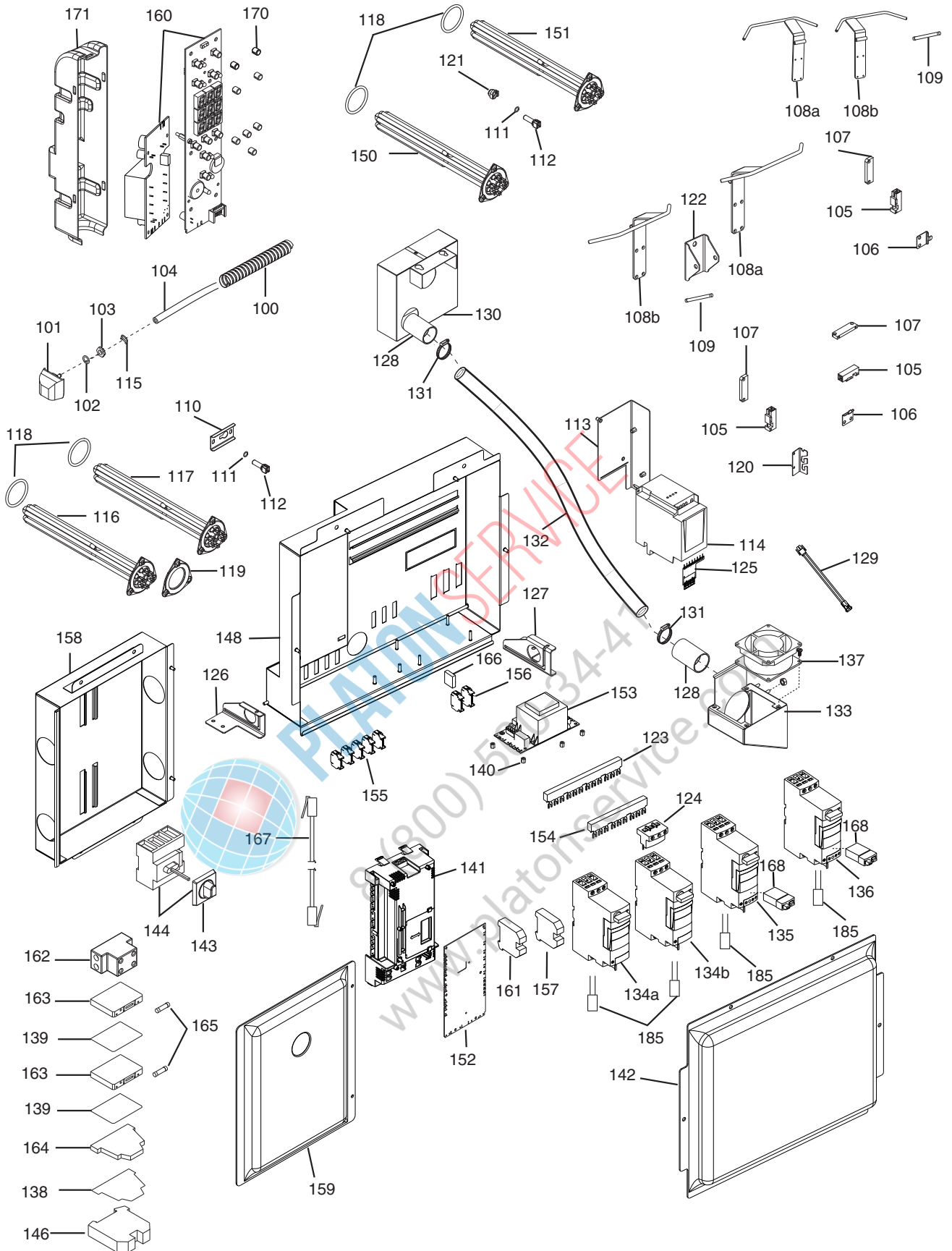
Prelavaggio da 44", Circuito Idraulico/ Prewash from 44", Hydraulic circuit

| Prelavaggio da 44", Circuito Idraulico Prewash from 44", Hydraulic circuit | | | | ill. 657001p7 | | Grassetto = variazioni Bold Print = changes |
|---|--------------|----------------------|------------------------|-----------------------------|----------------------|--|
| Pos. | Q.tà Q.ty | Cod.ric. Part No. | Cod. Fab. Fac. code | Descrizione | Description | Note Notes |
| 101 | 2 | 0L0919 | 543629400 | Guarnizione | Gasket | |
| 102 | 1 | 0L1107 | 830632603 | Tubo prelavaggio | Prewash pipe | |
| 103 | 1 | 0L0653 | 511619900 | Raccordo a gomito | Elbow fitting | |
| 104 | 1 | 0E5122 | W00500800 | Guarnizione | Gasket | Up to Ser.Nr.: 045 |
| 104 | 1 | 0L2402 | 569608800 | Guarnizione | Gasket | From Ser.Nr.: 046 |
| 105 | 1 | 0E5848 | RT0011900 | Paraspruzzi ingresso | Inlet splashguard | |
| 106 | 1 | 0E5424 | W00525400 | Dado 1/2" G | Nut 1/2" G | |
| 107 | 2 | 0L0923 | 543632400 | O-ring 65.09x3.53 | O-ring 65.09x3.53 | |
| 108 | 2 | 0L1188 | 830633101 | Innesto bracci prelavaggio | Prewash arms fitting | |
| 109 | 1 | 0L1709 | 830654600 | Braccio lavaggio superiore | Upper washing arm | Right machine Up to Ser:5051 |
| 109 | 1 | 0L1709 | 830654600 | Braccio lavaggio inferiore | Lower washing arm | Left machine Up to Ser:5051 |
| 109 | 1 | 0L3473 | 83065FW00 | Braccio lavaggio superiore | Upper washing arm | Right machine From Ser:5061 |
| 109 | 1 | 0L3473 | 83065FW00 | Braccio lavaggio inferiore | Lower washing arm | Left machine From Ser:5061 |
| 110 | 1 | 0L1710 | 830654700 | Braccio lavaggio superiore | Upper washing arm | Left machine Up to Ser:5051 |
| 110 | 1 | 0L1710 | 830654700 | Braccio lavaggio inferiore | Lower washing arm | Right machine Up to Ser:5051 |
| 110 | 1 | 0L3474 | 83065FX00 | Braccio lavaggio superiore | Upper washing arm | Left machine From Ser:5061 |
| 110 | 1 | 0L3474 | 83065FX00 | Braccio lavaggio inferiore | Lower washing arm | Right machine From Ser:5061 |
| 111 | 12 | 0L0922 | 543632300 | O-ring 26,65x2,62 | O-ring 26,65x2,62 | |
| 112 | 12 | 0L1711 | 541617400 | Tappo | Plug | |
| 113 | 1 | 0L0951 | 800666601 | Filtro aspirazione | Suction filter | |
| 114 | 2 | 0L0905 | 514697101 | Aggancio bracci | Arms lock | Up to Ser. Nr.: 928 |
| 114 | 2 | 0L2087 | 5146A2100 | Aggancio bracci | Arms lock | From Ser. Nr.: 929 |
| 115 | 2 | 0L0915 | 518682700 | Fascetta 100-120 | Clamp 100-120 | |
| 116 | 1 | 0L0930 | 544635700 | Manicotto aspirazione pompa | Pump suction hose | |
| 117 | 1 | 0L1234 | 611631100 | Pompa | Pump | |
| 118 | 2 | 0L1370 | 800669401 | Coperchio aggancio bracci | Arms coupling cover | |
| 119 | 1 | 0L0928 | 544635200 | Collettore aspirazione | Suction manifold | |
| 120 | 1 | 049880 | 544631300 | Manicotto aspirazione | Suction hose | |
| 121 | 4 | 047578 | 518604001 | Fascetta 25-40 | Clamp 25-40 | |
| 122 | 1 | 0L0910 | 515660200 | Tubo a gomito | Elbow pipe | |
| 123 | 1 | 0L1199 | 696617800 | Elettrovalvola | Solenoid valve | |
| 124 | 1 | 0L0912 | 515660400 | Tubo 26.9X2 | Pipe 26.9X2 | |
| 125 | | 049287 | 140066043 | Tubo 25.5X3.75 | Pipe 25.5X3.75 | |
| 126 | 1 | 0L2506 | 696618600 | Elettrovalvola di scarico | Drain solenoid valve | |
| 127 | 1 | 0L0934 | 544639900 | Manicotto scarico vasca | Tank drain hose | |
| 133 | 1 | 0L0939 | 544683100 | Tubo 40x5 | Hose 40x5 | |
| 134 | 1 | 0L0892 | 504694300 | Filtro vasca | Tank filter | |
| 135 | 1 | 0L0973 | 830634900 | Filtro a cestello | Basket filter | |

| Prelavaggio da 44", Circuito Idraulico Prewash from 44", Hydraulic circuit | | | | ill. 657001p7 | Grassetto = variazioni Bold Print = changes | |
|---|--------------|----------------------|------------------------|-------------------------------|--|---------------------|
| Pos. | Q.tà Q.ty | Cod.ric. Part No. | Cod. Fab. Fac. code | Descrizione | Description | Note Notes |
| 136 | 1 | 0L1267 | 544683300 | Manicotto mandata | Delivery hose | |
| 137 | 3 | 046855 | 518602801 | Fascetta 50-70 | Clamp 50-70 | |
| 138 | 1 | 048531 | 140066039 | Tubo 12x19.5 mm | Hose 12x19.5 mm | Up to Ser. Nr.: 045 |
| 138 | 2m | 049379 | 140066047 | Tubo 12x19.5 mm | Hose 12x19.5 mm | From Ser. Nr.: 046 |
| 139 | 2 | 048126 | 518609801 | Fascetta 12-22 | Clamp 12-22 | |
| 143 | 1 | 0L1198 | 696617400 | Elettrovalvola | Solenoid valve | Up to Ser.Nr.: 019 |
| 143 | 1 | 0L2327 | 696618400 | Elettrovalvola | Solenoid valve | From Ser.Nr.: 020 |
| 144 | 1 | 0L1354 | 544639800 | Manicotto aspirazione | Suction hose | |
| 145 | 2 | 0L0914 | 518682600 | Fascetta 80-100 | Clamp 80-100 | |
| 146 | 1 | 065506 | 246037900 | O-ring 42.86x3.53 | O-ring 42.86x3.53 | |
| 147 | 1 | 0L1430 | 515657801 | Troppopieno | Overflow | Up to S. Nr. 019 |
| 147 | 1 | 0L2295 | 830657300 | Troppopieno + o-ring | Overflow + o-ring | From Ser. Nr.: 020 |
| 147a | 1 | 0L2359 | 543634100 | O-ring per troppopieno | O-ring for overflow | |
| 148 | 1 | 075624 | 511607200 | Piletta di scarico | Drain | |
| 149 | 1 | 066079 | 215190400 | Dado 1 1/2" | Nut 1 1/2" | |
| 150 | 1 | 0L0953 | 805659801 | Collettore scarco prelavaggio | Prewash drain manifold | |
| 151 | 4 | 0L1276 | 543633200 | O-ring 0500-30 50X3 | O-ring 0500-30 50X3 | |
| 156 | 2 | 0L0193 | 518614400 | Fascetta 40-60 | Clamp 40-60 | |
| 157 | 1 | 046853 | 518602901 | Fascetta 60-80 | Clamp 60-80 | |
| 158 | 1 | 0L1216 | 503614500 | Parzializzatore | Shutter | |
| 159 | 1 | 0L1189 | 215065212 | Anello 52 UNI 7437 | Ring 52 UNI 7437 | |



PLATON SERVICE
8 (800) 500-34-41
www.platonservice.com



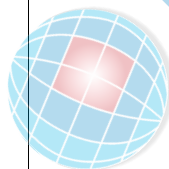
iii. 657001p8

Lavaggio+Risciacquo da 44", Componenti elettrici/ Wash+Rinse from 44", Electrical components

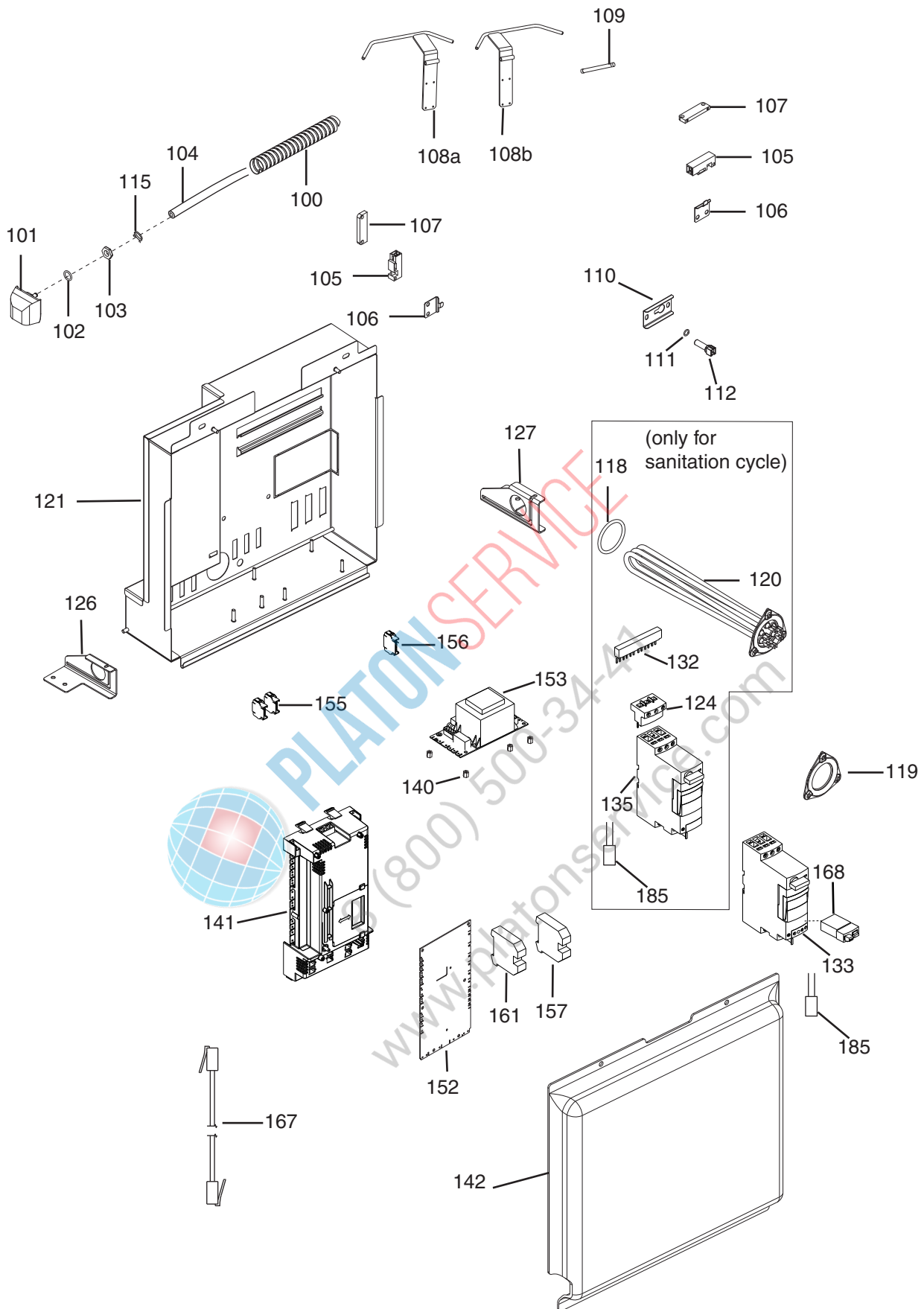
| Lavaggio+Risciacquo da 44", Componenti elettrici | | | | ill. 657001p8 | | Grassetto = variazioni |
|--|--------------|----------------------|------------------------|-----------------------------------|---|---|
| Wash+Rinse from 44", Electrical components | | | | | | Bold Print = changes |
| Pos. | Q.tà Q.ty | Cod.ric. Part No. | Cod. Fab. Fac. code | Descrizione | Description | Note Notes |
| 100 | 1 | 0L1948 | W00050701 | Guaina a spirale | Protection cable | |
| 101 | 1 | 048308 | 542604901 | Trappola d'aria | Air trap | |
| 102 | 1 | 068642 | 246035800 | O-ring | O-ring | |
| 103 | 1 | 049268 | 544623800 | Dado | Nut | |
| 104 | 1 | 072393 | W00537200 | Tubo pressostato | Pressure sensor hose | |
| 105 | 3 | 049621 | 654600000 | Sensore reed | Reed sensor | |
| 106 | 2 | 0L3164 | 502698502 | Supporto sensore reed | Reed sensor support | |
| 107 | 3 | 0L2534 | 699605900 | Magnete | Magnet | |
| 108b | 1 | 0L1164 | 830645801 | Leva autostart sx | Left autostart lever | |
| 108a | 1 | 0L1165 | 830645901 | Leva autostart dx | Right autostart lever | |
| 109 | 2 | 0L1449 | 514699000 | Asse autostart | Autostart pin | |
| 110 | 1 | 0L0366 | 507683800 | Supporto sensore temperatura | Temp. probe support | |
| 111 | 2 | 0L2303 | 543633Z00 | O-ring | O-ring | |
| 112 | 2 | 049643 | 124294000 | Sonda di temperatura | Temperature probe | |
| 113 | 1 | 0L1596 | 5146A1600 | Supporto inverter | Inverter support | Up to Ser. Nr.: 146 |
| 113 | 1 | 0L2508 | 830657K00 | Supporto inverter | Inverter support | From Ser. Nr.: 147 |
| 114 | 1 | 0L1282 | 624605700 | Inverter | Inverter | Up to Ser. Nr.: 835 |
| 114 | 1 | 0L1913 | 624606100 | Inverter | Inverter | From Ser. Nr.: 836 |
| 114 | 1 | 0L2511 | 830658900 | Inverter (programmato) | Inverter (programmed) | Up to Ser. Nr.: 146 From Ser. Nr.: 147 Up to Ser. Nr.: 4501 |
| 114 | 1 | 0L3457 | 83065DV00 | Inverter (programmato) | Inverter (programmed) | From Ser. Nr.: 4511 |
| 115 | 1 | 0L0082 | 518613000 | Fascetta 7.3-7.8 | Clamp 7.3-7.8 | |
| 116 | 1 | 0L1005 | 617623100 | Resistenza vasca sinistra 6.0 kW | Tank left heating element 6.0 kW | 230 V - not for 90 b/h |
| 117 | 1 | 0L1035 | 617623200 | Resistenza vasca destra 10.5 kW | Tank right heating element 10.5 kW | 230 V - only for 90 b/h Up to Ser. Nr.: 040 |
| 117 | 1 | 0L2242 | 617632100 | Resistenza vasca destra 10.5 kW | Tank right heating element 10.5 kW | 230 V - only for 90 b/h From Ser. Nr.: 041 |
| 117 | 1 | 0L1006 | 617623000 | Resistenza vasca destra 6.0 kW | Tank right heating element 6.0 kW | 230 V - not for 90 b/h |
| 118 | 4 | | W00525000 | O-ring | O-ring | |
| 119 | 1 | 049928 | 507682600 | Flangia cieca | Blind flange | Up to Ser. Nr.: 146 |
| 119 | 1 | 0L2629 | 511620B00 | Flangia cieca | Blind flange | From Ser. Nr.: 147 |
| 120 | 1 | 0L1866 | 5066A0500 | Supporto sensore reed | Reed sensor support | |
| 121 | 1 | 0L0280 | 514693100 | Premistoppa | Probe nut | |
| 122 | 1 | 0L1731 | 5066A0400 | Sostegno leva autostart | Autostart support | |
| 123 | 1 | 0L1004 | 639626900 | Barra di collegamento | Connection bar | for 4 starter controller |
| 124 | 1 | 0L1013 | 639626600 | Morsettiera | Terminal box | Up to Ser.Nr.: 908 |
| 125 | 1 | 0L2510 | 673611S00 | Scheda per ATV12 | ATV12 control board | Up to Ser. Nr.: 4501 |
| 126 | 1 | 0L1329 | 5026A0200 | Guida destra box elettrico | Electrical box right guide | Not for 140 b/h |
| 126 | 1 | 0L1619 | 5026A5300 | Guida destra box elettrico | Electrical box right guide | Only for 140 b/h |
| 127 | 1 | 0L1595 | 5026A5400 | Guida sinistra box elettrico | Electrical box left guide | |
| 128 | 2 | 0L2552 | 544687900 | Manicotto | Manifold | From Ser. Nr.: 147 |
| 129 | 1 | 0L2564 | 638689S00 | Cablaggio ventola | Fan wiring harness | From Ser. Nr.: 147 |
| 130 | 1 | 0L2558 | 800674400 | Convogliatore aria | Cooling fan air intake | From Ser. Nr.: 147 |
| 131 | 2 | 0L0193 | 518614400 | Fascetta | Hose clamp | From Ser. Nr.: 147 |
| 132 | 1 | 0L2505 | 140600400 | Tubo (67 cm) | Hose (67 cm) | From Ser. Nr.: 147 |
| 132 | 1 | 0L3XXX | 140600601 | Tubo (I.D.=51 cm) | Hose (I.D.=51 cm) | From Ser. Nr.: 4511 |
| 133 | 1 | 0L2559 | 830658700 | Convolgiatore aria | Fan discharge bracket | From Ser. Nr.: 147 |
| 134a | 1 | 0L1016 | 648614301 | Partenza motore resistenza boiler | Boiler heating element starter controller | 8A÷32A |

| Lavaggio+Risciacquo da 44", Componenti elettrici | | | | ill. 657001p8 | | Grassetto = variazioni |
|--|--------------|----------------------|------------------------|---------------------------------------|---|---|
| Wash+Rinse from 44", Electrical components | | | | | | Bold Print = changes |
| Pos. | Q.tà Q.ty | Cod.ric. Part No. | Cod. Fab. Fac. code | Descrizione | Description | Note Notes |
| 134b | 1 | 0L1016 | 648614301 | Partenza motore resistenza vasca | Tank heating element starter controller | 8A÷32A |
| 135 | 1 | 0L1222 | 648614102 | Partenza motore pompa lavaggio | Wash pump starter controller | 1.25A÷5A |
| 136 | 1 | 0L1297 | 648613901 | Partenza motore CU | CU motor starter controller | 0.35A÷1.4A Not for 90 b/h |
| 137 | 1 | 0L2175 | 549646500 | Ventola di raffreddamento | Cooling fan motor | From Ser. Nr.: 147 |
| 138 | 1 | 0L1593 | 639628800 | Piastra terminale | End plate | |
| 139 | 2 | 0L1594 | 639628600 | Piastra terminale | End plate | |
| 140 | 4 | 088653 | 516807900 | Distanziale | Spacer | |
| 141 | 1 | 0L1738 | 673611100 | Scheda elettronica | Electronic board | Up to Ser: 4501 |
| 141 | 1 | 0L3461 | 673612F02 | Scheda elettronica | Electronic board | From Ser: 4511 |
| 142 | 1 | 0L1202 | 541614700 | Copertura | Cover | |
| 143 | 1 | 0L0698 | 640612700 | Manopola | Knob | |
| 144 | 1 | 0L0363 | 640612500 | Sezionatore generale | Main switch | Up to S.N.019 |
| 144 | 1 | 0L2066 | 640613300 | Sezionatore generale | Main switch | From S.N.020 |
| 146 | 1 | 0E5851 | W00509000 | Morsetto | Terminal block | |
| 148 | 1 | 0L1708 | 850662A01 | Assieme box elettrico | Electrical box assembly | |
| 150 | 1 | 0L1005 | 617623100 | Resistenza boiler sinistra 6.0 kW | Boiler left heating element 6.0 kW | |
| 150 | 1 | 0L1035 | 617623200 | Resistenza boiler sinistra 10.5 kW | Boiler left heating element 10.5 kW | Only for 250 b/h Up to Ser. Nr.: 040 |
| 150 | 1 | 0L2242 | 617632100 | Resistenza boiler sinistra 10.5 kW | Boiler left heating element 10.5 kW | Only for 250 b/h From Ser. Nr.: 041 |
| 151 | 1 | 0L1006 | 617623000 | Resistenza boiler destra 6.0 kW | Boiler right heating element 6.0 kW | |
| 152 | 1 | 0L1737 | 6736011200 | PCB Morsettiera | PCB Junction box | |
| 153 | 1 | 0L1408 | 624605901 | Trasformatore Pri200/230V Sec24V 50VA | Transformer Pri200/230V Sec24V 50VA | Up to S.N.019 |
| 153 | 1 | 0L2191 | 624606301 | Trasformatore Pri200/230V Sec24V 50VA | Transformer Pri200/230V Sec24V 50VA | From S.N.020 Up to Ser. Nr.: 146 |
| 153 | 1 | 0L2526 | 624606500 | Trasformatore Pri200/230V Sec24V 50VA | Transformer Pri200/230V Sec24V 50VA | From Ser. Nr.: 147 |
| 154 | 1 | 0L1226 | 639626800 | Barra di collegamento | Connection bar | for 3 starter controller |
| 155 | 5 | 0L1227 | 639627800 | Connettore | Connection | |
| 156 | 2 | 0L1228 | 639627900 | Connettore | Connection | |
| 157 | 1 | 0L1245 | 639628400 | Morsetto blu | Blue terminal block | |
| 158 | 1 | 0L1248 | 850659801 | Box sezionatore morsettiera | Terminal board box | Up to Ser. Nr.: 146 |
| 158 | 1 | 0L2632 | 850664C00 | Box sezionatore morsettiera | Terminal board box | From Ser. Nr.: 147 |
| 159 | 1 | 0L1249 | 541614800 | Copertura box sezionatore | Switch box cover | |
| 160 | 1 | 0L1736 | 805664603 | Assieme Scheda user | User interface assembly | Up to Ser. Nr.: 143 |
| 160 | 1 | 0L2630 | 805664604 | Assieme Scheda user | User interface assembly | From Ser. Nr.: 144 |
| 160 | 1 | 0L2630 | 805664604 | Assieme Scheda user | User interface assembly | Up to Ser. Nr.: 144 |
| 160 | 1 | 0L3460 | 805666L01 | Assieme Scheda user | User interface assembly | From Ser. Nr.: 4511 |
| 161 | 1 | 0L1298 | 639628900 | Morsetto marrone | Brown terminal block | 161 |
| 162 | 1 | 0L1293 | 639627200 | Morsettiera unipolare | Unipolar terminal block | 162 |
| 163 | 2 | 0L1294 | 652608100 | Portafusibile | Fuse holder | 163 |
| 164 | 1 | 0L1296 | 639628700 | Morsetto | Terminal block | 164 |
| 165 | 2 | 0L1295 | 652608200 | Fusibile | Fuse | 165 |
| 166 | 2/1 | 0L2556 | 699605B00 | Connettore | Connection | Qty 2 for 90 & 140 b/h Qty 1 for 180 & 250 b/h From Ser. Nr.: 147 |

| Lavaggio+Risciacquo da 44", Componenti elettrici Wash+Rinse from 44", Electrical components | | | | ill. 657001p8 | Grassetto = variazioni Bold Print = changes | |
|--|--------------|----------------------|------------------------|-----------------------|--|---------------------------------------|
| Pos. | Q.tà Q.ty | Cod.ric. Part No. | Cod. Fab. Fac. code | Descrizione | Description | Note Notes |
| 167 | 1 | 0L1396 | 639629000 | Cavo di comunicazione | Communication cable | Not for 250 b/h Up to S.N.019 |
| 167 | 1 | 0L1432 | 639629200 | Cavo di comunicazione | Communication cable | Only for 250 b/h Up to S.N.019 |
| 167 | 1 | 0L3458 | 639629200 | Cavo di comunicazione | Communication cable | Only for 250 b/h From S.N.4511 |
| 167 | 1 | 0L2212 | 639629J00 | Cavo di comunicazione | Communication cable | From S.N.020 |
| 168 | 3 | 0L1441 | 648615200 | Contatto ausiliario | Auxiliary contact | 168 |
| 170 | 8 | 002670 | 548836902 | Prolunga pulsante | Switches cover | 170 |
| 171 | 1 | 0L1483 | 541616401 | Copertura scheda user | User interface cover | 171 |
| 185 | 4 | 0L1771 | 694606300 | Filtro | Filter | |
| 190 | 0.8 mt | 0L2426 | 140600300 | Tubo 20x3 | Hose 20x3 | Only for 90/140 From Ser. Nr.: 046 |
| 190 | 1.4 mt | 0L2426 | 140600300 | Tubo 20x3 | Hose 20x3 | Only for 180 From Ser. Nr.: 046 |
| 190 | 1.7 mt | 0L2426 | 140600300 | Tubo 20x3 | Hose 20x3 | Only for 250 From Ser. Nr.: 046 |



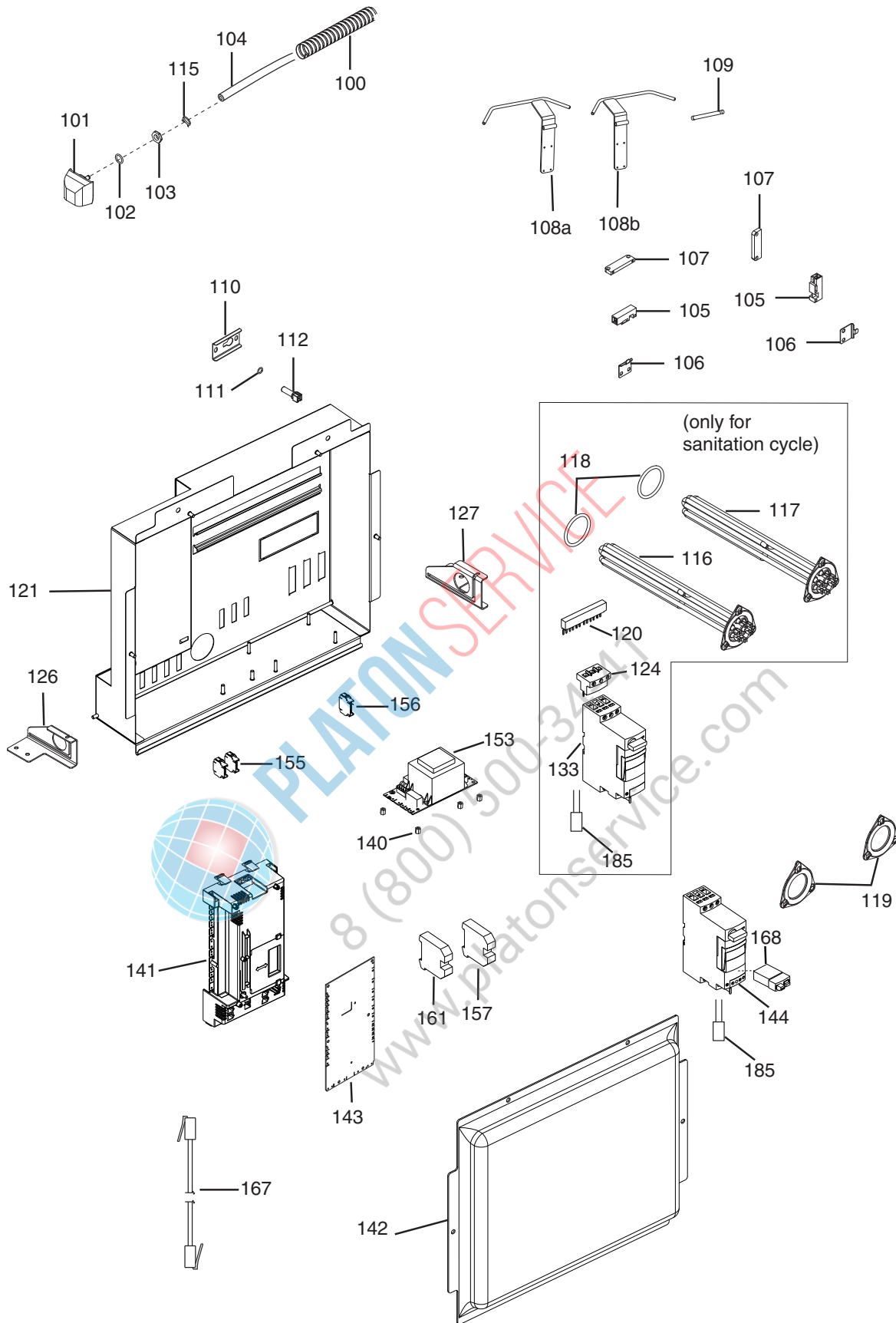
PLATON SERVICE
8 (800) 500-34-41
www.platonservice.com



iii. 657001p9

Prelavaggio da 22", Componenti elettrici / Prewash from 22", Electrical components

| Prelavaggio da 22", Componenti elettrici | | | | ill. 657001p9 | | Grassetto = variazioni |
|--|--------------|----------------------|------------------------|--|--|--|
| Prewash from 22", Electrical components | | | | | | Bold Print = changes |
| Pos. | Q.tà Q.ty | Cod.ric. Part No. | Cod. Fab. Fac. code | Descrizione | Description | Note Notes |
| 100 | 1 | 0L1948 | W00050701 | Guaina a spirale | Protection cable | |
| 101 | 1 | 048308 | 542604901 | Trappola d'aria | Air trap | |
| 102 | 1 | 068642 | 246035800 | O-ring | O-ring | |
| 103 | 1 | 049268 | 544623800 | Dado | Nut | |
| 104 | 1 | 072393 | W00537200 | Tubo pressostato | Pressure sensor hose | |
| 105 | 2 | 049621 | 654600000 | Sensore reed | Reed sensor | |
| 106 | 2 | 0L3164 | 502698502 | Supporto sensore reed | Reed sensor support | |
| 107 | 2 | 0L2534 | 699605900 | Magnete | Magnet | |
| 108b | 1 | 0L1164 | 830645801 | Leva autostart sx | Left autostart lever | For left machines |
| 108a | 1 | 0L1165 | 830645901 | Leva autostart dx | Right autostart lever | For right machines |
| 109 | 1 | 0L1449 | 514699000 | Asse autostart | Autostart pin | |
| 110 | 1 | 0L0366 | 507683800 | Supporto sensore temperatura | Temperature probe support | |
| 111 | 1 | 0L2303 | 543633Z00 | O-ring | O-ring | |
| 112 | 1 | 049643 | 124294000 | Sonda di temperatura | Temperature probe | |
| 115 | 1 | 0L0082 | 518613000 | Fascetta 7.3-7.8 | Clamp 7.3-7.8 | |
| 118 | 1 | 0L2304 | 543633Y00 | O-ring | O-ring | only for sanitation cycle |
| 119 | 1 | 049928 | 507682600 | Flangia cieca | Blind flange | Up to Ser. Nr.: 146 |
| 119 | 1 | 0L2629 | 511620B00 | Flangia cieca | Blind flange | From Ser. Nr.: 147 |
| 120 | 1 | 0L1035 | 617623200 | Resistenza 10.5kW 230V | Heating element 10.5kW 230V | Only for sanitization cycle |
| 120 | 1 | 0L2242 | 617632100 | Resistenza 10.5kW 230V | Heating element 10.5kW 230V | Up to Ser. Nr.: 040 Only for sanitization cycle From Ser. Nr.: 041 |
| 121 | 1 | 0L1707 | 850662B01 | Assieme box elettrico | Electrical box assembly | |
| 124 | 1 | 0L1013 | 639626600 | Morsettiera | Junction box | only for sanitation cycle |
| 126 | 1 | 0L1329 | 5026A0200 | Guida destra box elettrico | Electrical box right guide | |
| 127 | 1 | 0L1316 | 5026A0300 | Guida sinistra box elettrico | Electrical box left guide | |
| 132 | 1 | 0L1025 | 639626700 | Barra di collegamento | Connection bar | only for sanitation cycle |
| 133 | 1 | 0L1297 | 648613901 | Partenza motore pompa | Pump starter controller | 0.35A÷1.4A |
| 135 | 1 | 0L1016 | 648614301 | Partenza motore resistenza | Heating element starter controller | 8A÷32A only for sanitation cycle |
| 140 | 4 | 088653 | 516807900 | Distanziale | Spacer | |
| 141 | 1 | 0L1738 | 673611100 | Scheda elettronica | Electronic board | Up to Ser: 4501 |
| 141 | 1 | 0L3461 | 673612F02 | Scheda elettronica | Electronic board | From Ser: 4511 |
| 142 | 1 | 0L1591 | 541615300 | Copertura | Cover | |
| 152 | 1 | 0L1739 | 699605200 | PCB Morsettiera | PCB Junction box | |
| 153 | 1 | 0L1408 | 624605901 | Trasformatore Pri200/230V Sec24V 50VA | Transformer Pri200/230V Sec24V 50VA | Up to S.N.019 |
| 153 | 1 | 0L2191 | 624606301 | Trasformatore Pri200/230V Sec24V 50VA | Transformer Pri200/230V Sec24V 50VA | From S.N.020 |
| 155 | 2 | 0L1227 | 639627800 | Connettore | Connector | |
| 156 | 1 | 0L1228 | 639627900 | Connettore | Connector | |
| 157 | 1 | 0L1245 | 639628400 | Morsetto blu | Blue terminal block | |
| 161 | 1 | 0L1298 | 639628900 | Morsetto marrone | Brown terminal block | |
| 167 | 1 | 0L1396 | 639629000 | Cavo di comunicazione | Communication cable | Up to S.N.019 |
| 167 | 1 | 0L2212 | 639629J00 | Cavo di comunicazione | Communication cable | From S.N.020 |
| 168 | 1 | 0L1441 | 648615200 | Contatto ausiliario | Auxiliary contact | |
| 185 | 1 | 0L1771 | 694606300 | Filtro | Filter | |



III. 657001p10

Prelavaggio da 44", Componenti elettrici / Prewash from 44", Electrical components

| Prelavaggio da 44", Componenti elettrici | | | | ill. 657001p10 | | Grassetto = variazioni |
|--|--------------|-----------------------|------------------------|---------------------------------------|---|--|
| Prewash from 44", Electrical components | | | | | | Bold Print = changes |
| Pos. | Q.tà Q.ty | Cod. ric. Part No. | Cod. Fab. Fac. code | Descrizione | Description | Note Notes |
| 100 | 1 | 0L1948 | W00050701 | Guaina a spirale | Protection cable | |
| 101 | 1 | 048308 | 542604901 | Trappola d'aria | Air trap | |
| 102 | 1 | 068642 | 246035800 | O-ring | O-ring | |
| 103 | 1 | 049268 | 544623800 | Dado | Nut | |
| 104 | 1 | 072393 | W00537200 | Tube pressostato | Pressure sensor hose | |
| 105 | 2 | 049621 | 654600000 | Sensore reed | Reed sensor | |
| 106 | 2 | 0L3164 | 502698502 | Supporto sensore reed | Reed sensor support | |
| 107 | 2 | 0L2534 | 699605900 | Magnete | Magnet | |
| 108b | 1 | 0L1164 | 830645801 | Leva autostart sx | Left autostart lever | For left machines |
| 108a | 1 | 0L1165 | 830645901 | Leva autostart dx | Right autostart lever | For right machines |
| 109 | 1 | 0L1449 | 514699000 | Asse autostart | Autostart pin | |
| 110 | 1 | 0L0366 | 507683800 | Supporto sensore temperatura | Temperature probe support | |
| 111 | 1 | 0L2303 | 543633Z00 | O-ring | O-ring | |
| 112 | 1 | 049643 | 124294000 | Sonda di temperatura | Temperature probe | |
| 115 | 1 | 0L0082 | 518613000 | Fascetta 7.3-7.8 | Clamp 7.3-7.8 | |
| 116 | 1 | 0L1039 | 617623500 | Resistenza sin 10.5kW 230V | Left heating elem. 10.5kW 230V | Only for sanitization cycle Up to Ser. Nr.: 040 |
| 116 | 1 | 0L2736 | 617632201 | Resistenza sin 10.5kW 230V | Left heating elem. 10.5kW 230V | Only for sanitization cycle From Ser. Nr.: 041 |
| 117 | 1 | 0L1006 | 617623000 | Resistenza destra 6kW 230V | Right heating element 6kW 230V | only for sanitation cycle |
| 118 | 2 | 0L2304 | 543633Y00 | O-ring | O-ring | only for sanitation cycle |
| 119 | 2 | 049928 | 507682600 | Flangia cieca | Blind flange | Up Ser. Nr.: 146 |
| 119 | 1 | 0L2629 | 511620B00 | Flangia cieca | Blind flange | From Ser. Nr.: 147 |
| 120 | 1 | 0L1025 | 639626700 | Barra di collegamento | Connection bar | only for sanitation cycle |
| 121 | 1 | 0L1708 | 850662A01 | Assieme box elettrico | Electrical box assembly | |
| 124 | 1 | 0L1013 | 639626600 | Morsettiera | Junction box | only for sanitation cycle |
| 126 | 1 | 0L1329 | 5026A0200 | Guida destra box elettrico | Electrical box right guide | |
| 127 | 1 | 0L1595 | 5026A5400 | Guida sinistra box elettrico | Electrical box left guide | |
| 133 | 1 | 0L1016 | 648614301 | Partenza motore resistenza vasca | Tank heating element starter controller | 8A÷32A only for sanitation cycle |
| 140 | 4 | 088653 | 516807900 | Distanziale | Spacer | |
| 141 | 1 | 0L1738 | 673611100 | Scheda elettronica | Electronic board | Up to Ser: 4501 |
| 141 | 1 | 0L3461 | 673612F02 | Scheda elettronica | Electronic board | From Ser: 4511 |
| 142 | 1 | 0L1202 | 541614700 | Copertura | Cover | |
| 143 | 1 | 0L1739 | 699605200 | PCB Morsettiera | PCB Junction box | |
| 144 | 1 | 0L1222 | 648614102 | Partenza motore pompa | Pump starter controller | 1.25A÷5A |
| 153 | 1 | 0L1408 | 624605901 | Trasformatore Pri200/230V Sec24V 50VA | Transformer Pri200/230V Sec24V 50VA | Up to S.N.019 |
| 153 | 1 | 0L2191 | 624606301 | Trasformatore Pri200/230V Sec24V 50VA | Transformer Pri200/230V Sec24V 50VA | From S.N.020 |
| 155 | 2 | 0L1227 | 639627800 | Connettore | Connector | |
| 156 | 1 | 0L1228 | 639627900 | Connettore | Connector | |
| 157 | 1 | 0L1245 | 639628400 | Morsetto blu | Blue terminal block | |
| 161 | 1 | 0L1298 | 639628900 | Morsetto marrone | Brown terminal block | |
| 167 | 1 | 0L1396 | 639629000 | Cavo di comunicazione | Communication cable | Up to S.N.019 |
| 167 | 1 | 0L2212 | 639629J00 | Cavo di comunicazione | Communication cable | From S.N.020 |

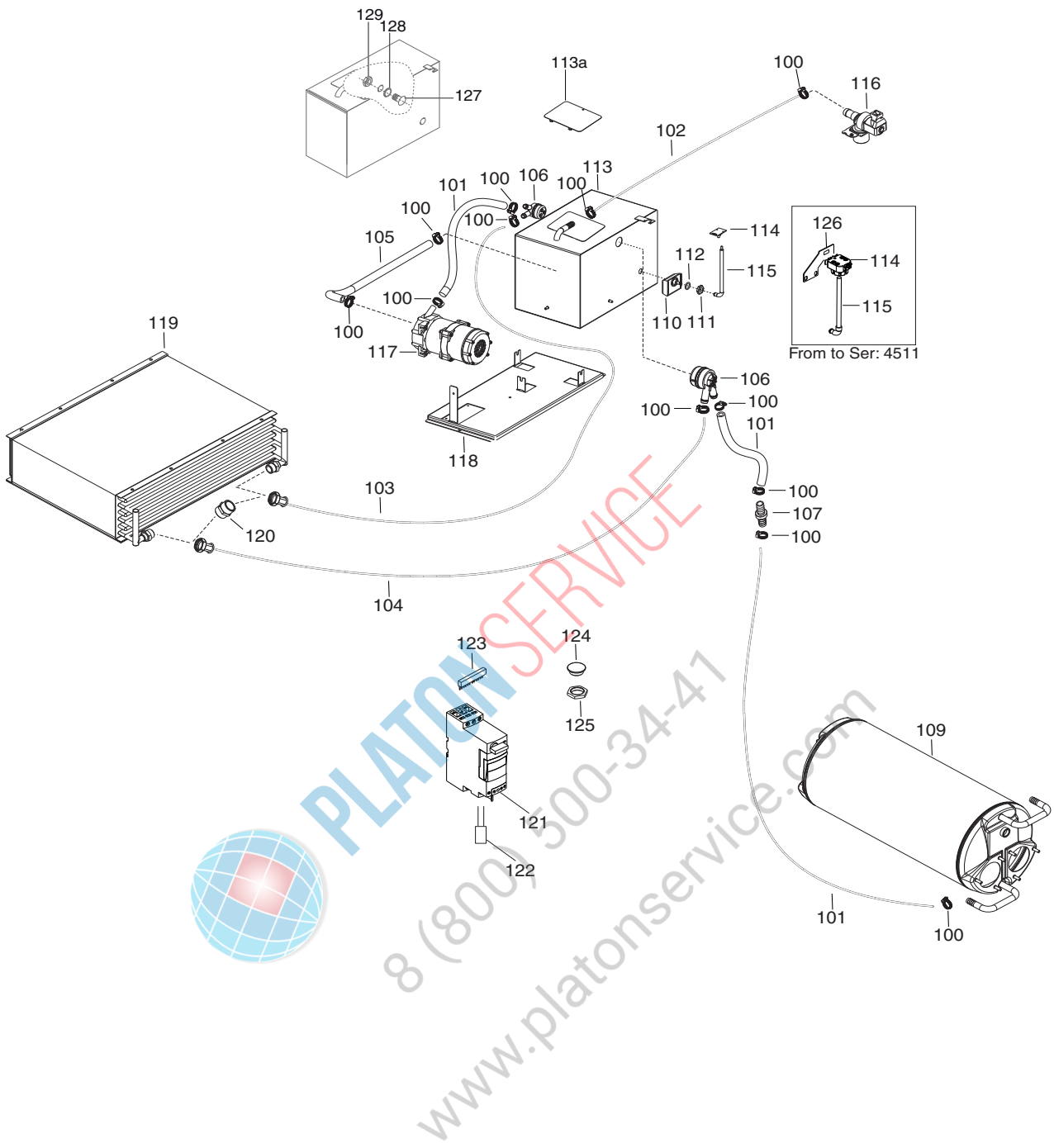
| Pos. | Q.tà Q.ty | Cod.ric. Part No. | Cod. Fab. Fac. code | Descrizione | Description | Note Notes |
|------|--------------|----------------------|------------------------|---------------------|-------------------|---------------|
| 168 | 1 | 0L1441 | 648615200 | Contatto ausiliario | Auxiliary contact | |
| 185 | 1 | 0L1771 | 694606300 | Filtro | Filter | |



PLATON SERVICE

8 (800) 500-34-41

www.platonservice.com



ill. 657001p11

Kit Air gap (Only for Middle East version - WTCS140XXO/ WTCS180XXO)

| Kit Air GAP | | | | ill. 657001p11 | | Grassetto = variazioni |
|-------------------------|--------------|----------------------|------------------------|--------------------------------|--------------------------------|--|
| Kit Air gap, Components | | | | Bold Print = changes | | |
| Pos. | Q.tà Q.ty | Cod.ric. Part No. | Cod. Fab. Fac. code | Descrizione | Description | Note Notes |
| 100 | 12 | 048126 | 518609801 | Fascetta 12-22 | Clamp 12-22 | |
| 101 | 3 | 048531 | 140066039 | Tubo 12X19.5 mm | Hose 12X19.5 mm | |
| 102 | 1 | 049379 | 140066047 | Tubo 12X19.5 mm(wrc) | Hose 12X19.5 mm(wrc) | |
| 103 | 1 | 0L2047 | 830654T00 | Tubo cu | Hose cu | |
| 104 | 1 | 0L2048 | 830654U00 | Tubo cu | Hose cu | |
| 105 | 1 | 0L2045 | 544685B00 | Tubo aspirazione pompa | Hose suction pump | |
| 106 | 2 | 0L1892 | 544685800 | Valvola DVGW | DVGW valve | |
| 107 | 1 | 0L2049 | 5146A2F00 | Parzializzatore 4 l/m | Shutter 4 l/m | Not for RTC250/ WTC250 |
| 107 | 1 | 0L2050 | 5146a2G00 | Parzializzatore 5 l/m | Shutter 5 l/m | For RTC250/ WTC250 |
| 109 | 1 | 0L1766 | 850662G00 | Boiler | Boiler | Up to Ser.Nr.: 851 |
| 109 | 1 | 0L1959 | 850663500 | Boiler | Boiler | From Ser.Nr.: 852 Up to Ser.Nr.: 021 Not for Middle East |
| 109 | 1 | 0L1766 | 850662G01 | Boiler | Boiler | From Ser.Nr.: 022 Not for Middle East |
| 109 | 1 | 0L1983 | 850663L01 | Boiler | Boiler | For Middle East |
| 110 | 1 | 048308 | 542604901 | Trappola d'aria | Air trap | |
| 111 | 1 | 049268 | 544623800 | Dado M14x1.5 | Nut M14x1.5 | |
| 112 | 1 | 068642 | 246035800 | O-ring 2.62x15.54 | O-ring 2.62x15.54 | |
| 113 | 1 | 0L2046 | 509612700 | Air gap | Air gap | Up to Ser.Nr.: 020 |
| 113 | 1 | 0L2274 | 850663Y00 | Air gap | Air gap | From Ser.Nr.: 021 |
| 113 | 1 | 0L2274 | 850663Y00 | Air gap | Air gap | Up to Ser.Nr.: 4501 |
| 113 | 1 | 0L2274 | 850663Y01 | Air gap | Air gap | From Ser.Nr.: 4511 |
| 113a | 1 | 0L2281 | 5026B3100 | Coperchio air gap | Air gap cover | From Ser.Nr.: 021 |
| 114 | 1 | 0L1132 | 673608302 | Scheda sensore di pressione | Air break pressure sensor | Up to Ser.:4501 |
| 114 | 1 | 0L2845 | 673611M00 | Sensore di pressione Elbi | Elbi Air break pressure sensor | From Ser.:4511 |
| 115 | 1 | 0L1909 | 544685A00 | Tubo sensore di pressione | Pressure sensor pipe | Up to Ser.Nr.: 4501 |
| 115 | 1 | 0L3088 | 544688D00 | Tubo sensore di pressione Elbi | Elbi Pressure sensor pipe | From Ser.Nr.: 4511 |
| 116 | 1 | 0L1198 | 696617400 | Elettrovalvola | Solenoid valve | Up to Ser.Nr.: 019 |
| 116 | 1 | 0L2327 | 696618400 | Elettrovalvola | Solenoid valve | From Ser.Nr.: 020 |
| 117 | 1 | 0L1384 | 611634600 | Pompa risciacquo | Rinse pump | |
| 118 | 1 | 0L2044 | 509612600 | Supporto Air gap | Air gap basament | |
| 119 | 1 | 0L1730 | 511620800 | Scambiatore aria-acqua | Water-air heat exchanger | Up to Ser.: 5141 |
| 119 | 1 | 0L3573 | 511621200 | Scambiatore aria-acqua | Water-air heat exchanger | From Ser.: 5151 |
| 120 | 1 | 072457 | W00526300 | Raccordo | Fitting | |
| 121 | 1 | 0L1297 | 648613901 | Partenza motore CU | CU motor starter controler | |
| 122 | 1 | 0L1771 | 694606300 | Filtro | Filter | Up to Ser: 4501 |
| 122 | 1 | 0L3459 | 694606300 | Filtro | Filter | From Ser: 4511 |
| 123 | 1 | 0L1025 | 639626700 | Barra di collegamento | Connection bar | |
| 124 | 1 | 0L1148 | 5146A0600 | Tappo | Plug | |
| 125 | 1 | 0E5056 | W00525500 | Dado | Nut | |
| 126 | 1 | 0L3302 | 5056A2M01 | Supporto sensore | Sensor support | From to Ser:4511 |
| 127 | 1 | 0L3493 | 5146A8100 | Tappo a calotta | Plug | From to Ser: 4511 |
| 128 | 1 | 0L2305 | 543633X00 | O-ring 2.62x15.54 | O-ring 2.62x15.54 | From to Ser: 4511 |
| 129 | 1 | 0H2610 | W00525300 | Dado esagonale 1/4" | Hex nut 1/4 | From to Ser: 4511 |